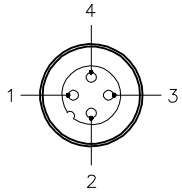


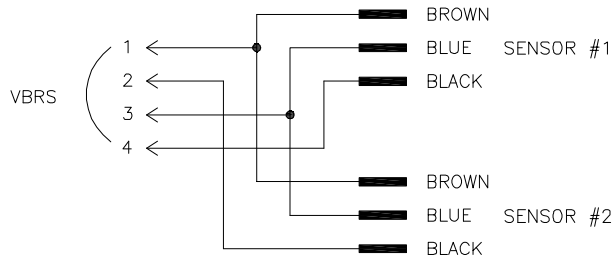
MALE END VIEW



1 = (+) VOLTAGE
 2 = SENSOR 2 (LOAD)
 3 = (-) VOLTAGE
 4 = SENSOR 1 (LOAD)

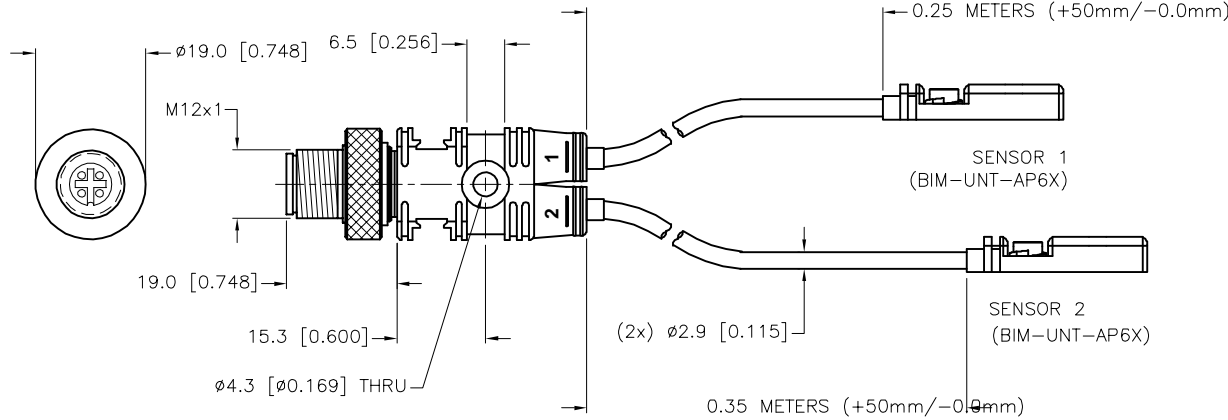


WIRING DIAGRAM



VBRS SPECIFICATIONS

CONTACT CARRIER MATERIAL	NYLON OR TPU
MOLDED HEAD MATERIAL/COLOR	TPU/YELLOW
CONTACT MATERIAL/PLATING	BRASS/GOLD
COUPLING NUT MATERIAL/PLATING	BRASS/NICKEL
SENSOR SPECIFICATIONS	
PASS SPEED	≤ 10 m/s
HYSTERESIS	≤ 1mm
TEMPERATURE DRIFT	≤ 0.1mm
MIN. ABSOLUTE REPEAT ACCURACY	≥ ±0.1mm
OPERATING TEMPERATURE	-25°C to +70°C (-13°F to +158°F)
RATED OPERATIONAL VOLTAGE	10-30 VDC
MAX. RIPPLE	≤ 10%
DC RATED OPERATIONAL CURRENT	≤ 150 mA PER SENSOR
NO-LOAD CURRENT	≤ 30 mA
RESIDUAL CURRENT	≤ 0.1 mA PER SENSOR
MAX. SWITCHING FREQUENCY	≤ 1.0 kHz
RATED INSULATION VOLTAGE	≤ 0.5 kV
OUTPUT FUNCTION	NORMALLY OPEN, 3-WIRE, PNP
SHORT-CIRCUIT PROTECTION	YES, CYCLIC
MAX. VOLTAGE DROP	≤ 1.8 V
WIRE BREAKAGE PROTECTION	INCORPORATED
REVERSE POLARITY PROTECTION	INCORPORATED
HOUSING MATERIAL	PLASTIC, PP
ACTIVE FACE MATERIAL	PLASTIC, PP
CABLE	ø3.0, LiYY-11Y, TPU
VIBRATION	55 Hz, 1 mm AMPLITUDE (IN ALL 3 PLANES)
SHOCK	30 g, 11 ms
DEGREE OF PROTECTION	IP68
SWITCHING STATUS INDICATION	LED, YELLOW
INCLUDED IN SCOPE OF SUPPLY	CABLE CLIP



NOTES:

1. "/CS10923" DESIGNATES VBRS SPLITTER WITH (2x)BIM-UNT STYLE SENSORS MOLDED ON. TWO SENSORS SHOULD BE MOLDED ON WITH SEPARATE CABLE LENGTHS OF 0.25M AND 0.35M WITH A TOLERANCE OF +50MM/-0MM FOR BOTH.
 PIN 1 (+)
 PIN 2 (LOAD BRANCH #2)
 PIN 3 (-)
 PIN 4 (LOAD BRANCH #1).

VBRS HOUSING SHOULD HAVE "/S857" DESIGNATION: TO INCLUDE MOUNTING HOLE.

2. "/SV" DESIGNATES VENDING MACHINE PACKAGING.

SOURCE DRAWING - FOR REFERENCE ONLY

RELATED DOCUMENTS 1. 2. 3. 4.	3RD ANGLE PROJECTION	THIS DRAWING IS CONFIDENTIAL AND THE PROPERTY OF TURCK INC. USE OF THIS DOCUMENT WITHOUT WRITTEN PERMISSION IS PROHIBITED.	<p>3000 CAMPUS DRIVE MINNEAPOLIS, MN 55441 1-800-544-7769 (763) 553-7300 (763) 553-0708 fax www.turck.us</p>	
MATERIAL	SEE SPECIFICATIONS	DRFT RDS	DATE 08/05/11	DESCRIPTION
FINISH	SEE SPECIFICATIONS	APVD	SCALE 1=1.0	BIM-UNT-2AP6X2-VBRS/CS10923/SV
		UNIT OF MEASUREMENT		IDENTIFICATION NO.
		MILLIMETER [INCH]		46857208
		CONTACT TURCK FOR MORE INFORMATION		REV F
		DO NOT SCALE THIS DRAWING		FILE: 46857208
				SHEET 1 OF 1

F	REMOVED LED SQUARE AND UPDATED IP RATING	ER	02/18/21	76511
REV	DESCRIPTION	BY	DATE	ECO NO.