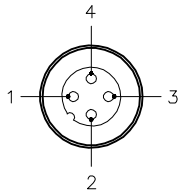


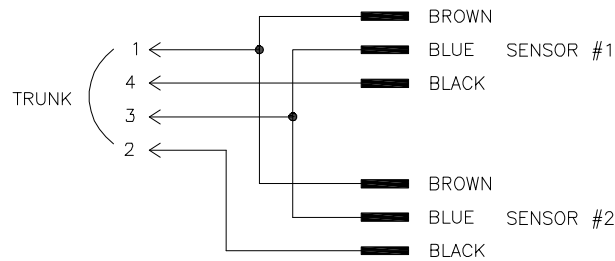
MALE END VIEW



- 1 = (+) VOLTAGE
- 2 = SENSOR 2 (OUTPUT)
- 3 = (-) VOLTAGE
- 4 = SENSOR 1 (OUTPUT)

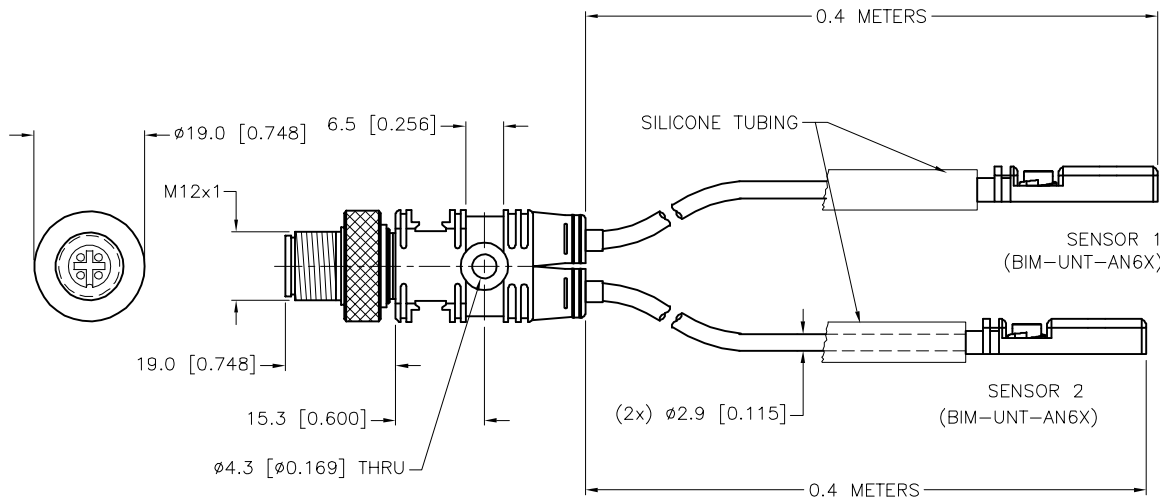


WIRING DIAGRAM



SPECIFICATIONS

CONTACT CARRIER MATERIAL (EURO)	NYLON OR TPU
MOLDED HEAD MATERIAL/COLOR (VBR)	TPU/YELLOW
CONTACT MATERIAL/PLATING (EURO)	BRASS/GOLD
COUPLING NUT MATERIAL/PLATING (EURO)	BRASS/NICKEL
SENSOR SPECIFICATIONS	
OPERATING VOLTAGE	10-30 VDC
RIPPLE	≤ 10%
HYSTERESIS	≤ 1 mm
VOLTAGE DROP ACROSS CONDUCTING SENSOR	≤ 2.0 V at 200 mA
OUTPUT FUNCTION	NORMALLY OPEN, 3-WIRE, NPN
TTL COMPATIBLE	NO
SHORT-CIRCUIT PROTECTED	YES
DC RATED OPERATION CURRENT	≤ 150 mA PER SENSOR
OFF-STATE (LEAKAGE) CURRENT	< 30 mA
NO-LOAD CURRENT	≤ 10 mA PER SENSOR
TIME DELAY BEFORE AVAILABILITY	≤ 3 ms
POWER-ON EFFECT PROTECTION	INCORPORATED
REVERSE POLARITY PROTECTION	INCORPORATED
WIRE-BREAK PROTECTION	INCORPORATED
PROTECTION AGAINST TRANSIENTS	EN 60947-5-2
OPERATING TEMPERATURE	-25°C to +70°C (-13°F to +158°F)
ENCLOSURE	MEETS NEMA 1, 3, 4, 6, 13 AND IEC IP67, IP68(SENSOR)
SHOCK	30 g, 11 ms
VIBRATION	55 Hz, 1 mm AMPLITUDE (IN ALL 3 PLANES)
LED FUNCTION	YELLOW: OUTPUT ENERGIZED
SWITCHING FREQUENCY	1000 Hz
REPEATABILITY	≤ 0.1 mm (CONSTANT TEMPERATURE AND VOLTAGE)
TEMPERATURE DRIFT	≤ 0.1 mm
PERMISSIBLE SPEED	≤ 10 m/second



NOTES:

1. "/CS11680" DESIGNATES VBR SPLITTER WITH (2)BIM-UNT SENSORS MOLDED ON. SENSORS HAVE CABLE LENGTHS OF 0.4M WITH A TOLERANCE OF +50MM/-0MM. 1/4"

SILICONE TUBING ADDED OVER EACH CABLE, NO HEAT SHRINK. 200MM TUBING ON 0.4M. (SILICONE WILL NOT HAVE HEAT SHRINK, BUT WILL MOVE FREELY ON THE CABLES.

PIN 1 (+) PIN 2 (LOAD BRANCH #2)
PIN 3 (-) PIN 4 (LOAD BRANCH #1).

VBR S HOUSING SHOULD HAVE S857 DESIGNATION TO INCLUDE MOUNTING HOLES

2. "/SV" DESIGNATES SPECIAL PACKAGING FOR VENDING MACHINES.

SOURCE DRAWING - FOR REFERENCE ONLY

RELATED DOCUMENTS 1. 2. 3. 4.	3RD ANGLE PROJECTION	THIS DRAWING IS CONFIDENTIAL AND THE PROPERTY OF TURCK INC. USE OF THIS DOCUMENT WITHOUT WRITTEN PERMISSION IS PROHIBITED.	<p>3000 CAMPUS DRIVE MINNEAPOLIS, MN 55441 1-800-544-7769 (763) 553-7300 (763) 553-0708 fax www.turck.us</p>	
MATERIAL	DRFT RDS	DATE 05/11/12	DESCRIPTION	
SEE SPECIFICATIONS	APVD J.M.	SCALE 1=1.0	BIM-UNT-2AN6X2-VBR/CS11680/SV	
FINISH	UNIT OF MEASUREMENT		IDENTIFICATION NO.	REV
SEE SPECIFICATIONS	CONTACT TURCK FOR MORE INFORMATION		MILLIMETER [INCH]	46857212
DO NOT SCALE THIS DRAWING		FILE: 46857212	SHEET 1 OF 1	

F	REMOVED LED SQUARE AND UPDATED IP RATING	ER	02/18/21	76511
REV	DESCRIPTION	BY	DATE	ECO NO.