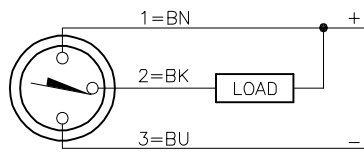


WIRING DIAGRAM

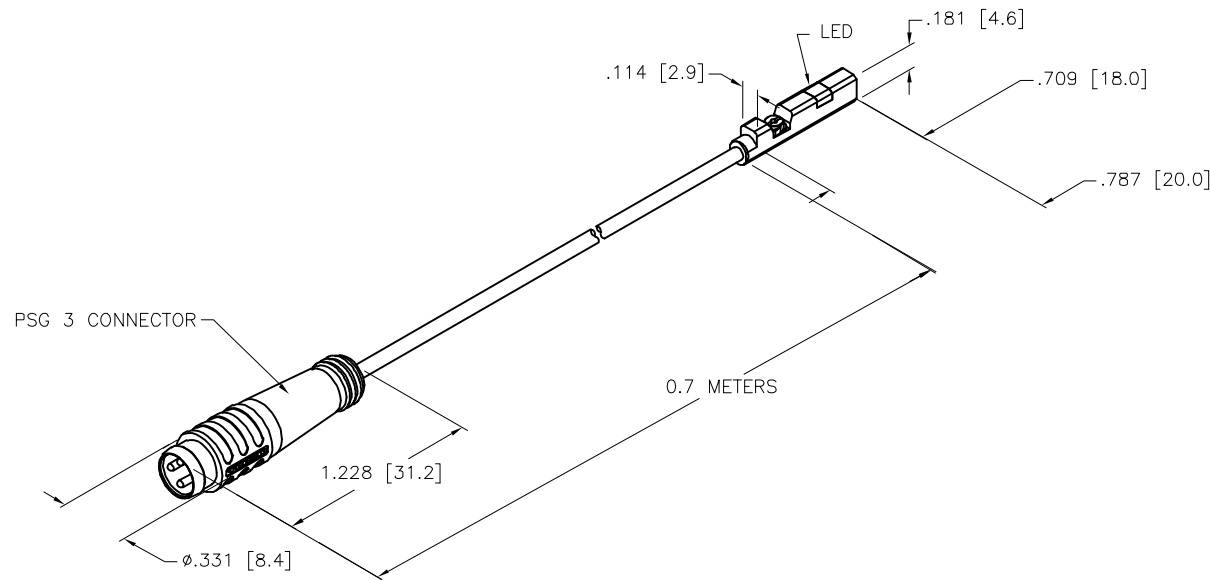


OUTPUT: AN6X

SHORT-CIRCUIT AND OVERLOAD PROTECTED

SPECIFICATIONS PER SENSOR

PASS SPEED	≤ 0.3 m/s
HYSTERESIS	≤ 1mm
TEMPERATURE DRIFT	≤ 0.1mm
MIN. ABSOLUTE REPEAT ACCURACY	≥ ±0.1mm
OPERATING TEMPERATURE	-25°C to +70°C (-13°F to +158°F)
RATED OPERATIONAL VOLTAGE	10-30 VDC
RESIDUAL RIPPLE	≤ 10%
DC RATED OPERATIONAL CURRENT	≤ 100 mA
NO-LOAD CURRENT	≤ 15 mA
RESIDUAL CURRENT	≤ 0.1 mA
MAX. SWITCHING FREQUENCY	≤ 0.02 kHz
RATED INSULATION VOLTAGE	≤ 0.5 kV
OUTPUT FUNCTION	NORMALLY OPEN, 3-WIRE, NPN
SHORT-CIRCUIT PROTECTION	YES, CYCLIC
MAX. VOLTAGE DROP	≤ 1.8 V
WIRE BREAKAGE PROTECTION	INCORPORATED
REVERSE POLARITY PROTECTION	INCORPORATED
HOUSING MATERIAL	PLASTIC, PP
ACTIVE FACE MATERIAL	PLASTIC, PP
CABLE	∅2.0, TPU/GRAY
VIBRATION	55 Hz, 1 mm AMPLITUDE (IN ALL 3 PLANES)
SHOCK	30 g, 11 ms
DEGREE OF PROTECTION	IP67
SWITCHING STATUS INDICATION	LED, YELLOW
INCLUDED IN SCOPE OF SUPPLY	CABLE CLIP



SOURCE DRAWING - FOR REFERENCE ONLY

NOTES:

1. "/S771" DESIGNATES BLACK MOLDED BODY.
2. "/S1579" DESIGNATES NO FLAG LABEL, BAG LABEL ONLY.

RELATED DOCUMENTS 1. 2. 3. 4.	3RD ANGLE PROJECTION	THIS DRAWING IS CONFIDENTIAL AND THE PROPERTY OF TURCK INC. USE OF THIS DOCUMENT WITHOUT WRITTEN PERMISSION IS PROHIBITED.	3000 CAMPUS DRIVE MINNEAPOLIS, MN 55441 1-800-544-7769 (763) 553-7300 (763) 553-0708 fax www.turck.us	
			TURCK	
MATERIAL SEE SPECIFICATIONS	ALL DIMENSIONS DISPLAYED ON THIS DRAWING ARE FOR REFERENCE ONLY	DRFT NF	DATE 02/01/16	DESCRIPTION BIM-UNR-AN6X-0.7-PSG3/S771/S1579 W/M
FINISH SEE SPECIFICATIONS		APVD A.F.	SCALE 1=1.0	
		UNIT OF MEASUREMENT INCH [MILLIMETER]		IDENTIFICATION NO. 46858412
		DO NOT SCALE THIS DRAWING		REV D
				FILE: 46858412
				SHEET 1 OF 2

D	UPDATE SPECS	KB	06/16/25	81244
REV	DESCRIPTION	BY	DATE	ECO NO.