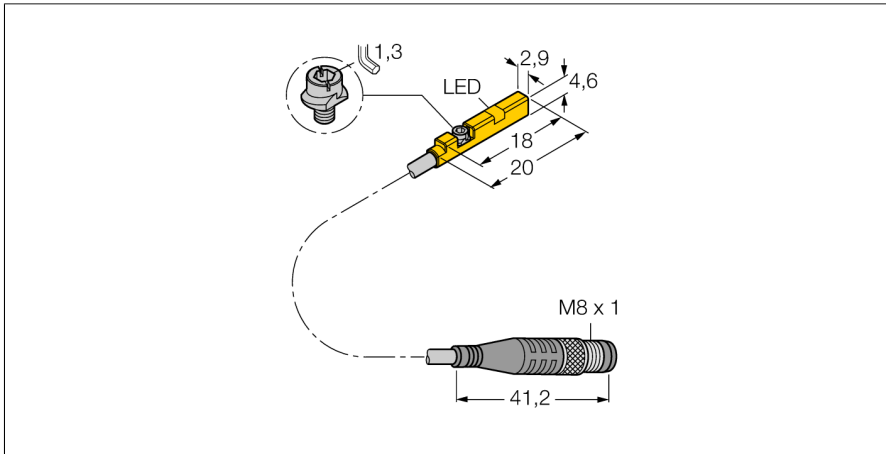


Magnetic Field Sensor For Pneumatic Cylinders BIM-UNR-AN6X-0.6-PSG3M W/M



Type	BIM-UNR-AN6X-0.6-PSG3M W/M
ID	46858472

General data	
Pass speed	≤ 3 m/s
Repeatability	≤ ± 0.1 mm
Temperature drift	≤ 0.3 mm
Hysteresis	≤ 1 mm

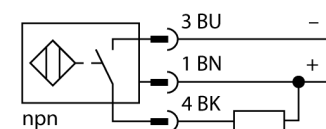
Electrical data	
Operating voltage U_s	11...30 VDC
Ripple U_{rs}	≤ 10 % U_{Bmax}
DC rated operating current I_s	≤ 100 mA
Residual current	≤ 0.1 mA
Isolation test voltage	0.5 kV
Short-circuit protection	yes/Cyclic
Voltage drop at I_s	≤ 1.8 V
Wire break/reverse polarity protection	yes/Complete
Output function	3-wire, NO contact, NPN
Switching frequency	0.3 kHz

Mechanical data	
Design	Rectangular, UNR
Dimensions	18 x 2.9 x 4.6 mm
Housing material	Plastic, PP
Active area material	Plastic, PP
Tightening torque fixing screw	0.2 Nm
Electrical connection	Cable with connector, M8 x 1
Cable quality	Ø 2mm, Gray, Lif9Y-11Y, PUR, 0.6 m
Core cross-section	3 x 0.08 mm ²
Litz wire	40x0.05mm

Environmental conditions	
Ambient temperature	-25...+70 °C
Vibration resistance	55 Hz (1 mm)
Shock resistance	30 g (11 ms)
Protection class	IP67
MTTF	2283 years acc. to SN 29500 (Ed. 99) 40 °C

- For C-groove cylinders without mounting accessories
- Optional accessories for mounting on other cylindrical housings.
- One-hand mounting possible
- Stable mounting
- Magneto-resistive sensor
- DC 3-wire, 11...30 VDC
- NO contact, NPN output
- Pigtail with M8 male connector

Wiring Diagram



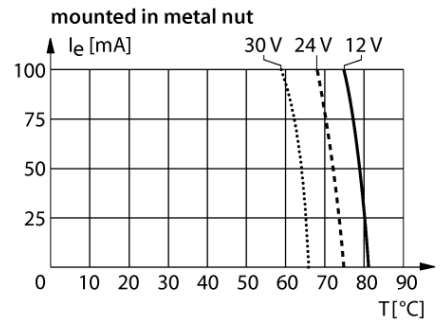
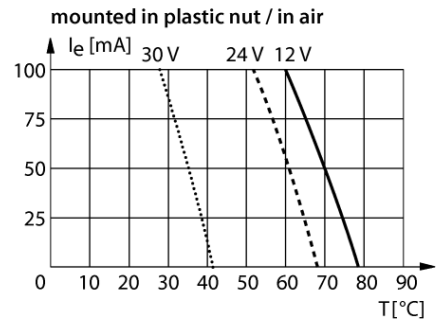
Functional principle

Magnetic field sensors are activated by magnetic fields and are used, in particular, for the detection of the piston position in pneumatic cylinders. As magnetic fields can permeate non-magnetizable metals, they detect a permanent magnet attached to the piston through the aluminium cylinder wall.

Derating Curve

Mounting on the following profiles

Cylindrical design	○
Switching state	LED, Yellow
Included in delivery	cable clip



Accessories

Type code	Ident-No.		Dimension drawing
KLR2-UNR	100000596	Mounting bracket for mounting magnetic field sensors on round cylinders	
ASB-4	6965104	Clip collar for mounting brackets for magnetic field sensors on round cylinders; cylinder diameter: 28...39 mm; other lengths are available under designations ASB-1 to ASB-9	