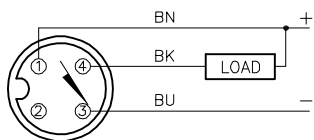


WIRING DIAGRAM

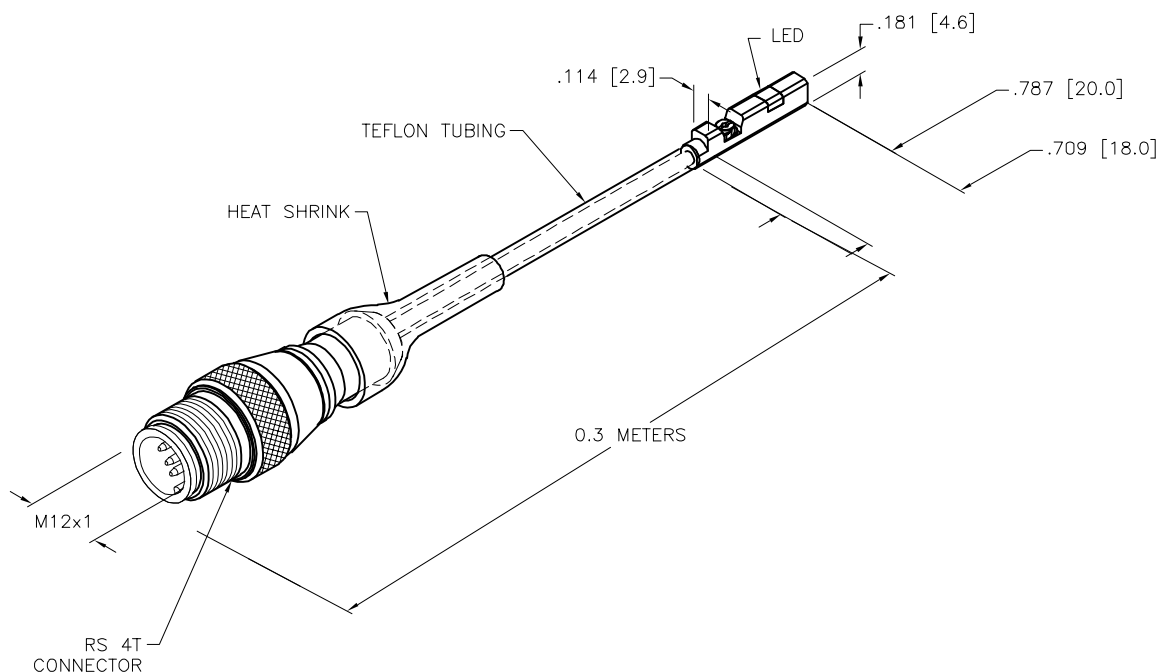


OUTPUT: AN6X

SHORT-CIRCUIT AND OVERLOAD PROTECTED

SPECIFICATIONS PER SENSOR

PASS SPEED	≤ 0.3 m/s
HYSTERESIS	≤ 1mm
TEMPERATURE DRIFT	≤ 0.1mm
MIN. ABSOLUTE REPEAT ACCURACY	≥ ±0.1mm
OPERATING TEMPERATURE	-25°C to +70°C (-13°F to +158°F)
RATED OPERATIONAL VOLTAGE	10-30 VDC
RESIDUAL RIPPLE	≤ 10%
DC RATED OPERATIONAL CURRENT	≤ 100 mA
NO-LOAD CURRENT	≤ 15 mA
RESIDUAL CURRENT	≤ 0.1 mA
MAX. SWITCHING FREQUENCY	≤ 0.02 kHz
RATED INSULATION VOLTAGE	≤ 0.5 kV
OUTPUT FUNCTION	NORMALLY OPEN, 3-WIRE, NPN
SHORT-CIRCUIT PROTECTION	YES, CYCLIC
MAX. VOLTAGE DROP	≤ 1.8 V
WIRE BREAKAGE PROTECTION	INCORPORATED
REVERSE POLARITY PROTECTION	INCORPORATED
HOUSING MATERIAL	PLASTIC, PP
ACTIVE FACE MATERIAL	PLASTIC, PP
CABLE	∅2.0, TPU/GRAY
VIBRATION	55 Hz, 1 mm AMPLITUDE (IN ALL 3 PLANES)
SHOCK	30 g, 11 ms
DEGREE OF PROTECTION	IP67
SWITCHING STATUS INDICATION	LED, YELLOW
INCLUDED IN SCOPE OF SUPPLY	CABLE CLIP




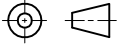
SOURCE DRAWING - FOR REFERENCE ONLY

NOTES:

1. "/S1144" DESIGNATES USE PTFE (TEFLON) TUBING OVER SENSOR CABLE FOR PROTECTION.

TUBING STARTS AT SENSOR END, AND GET CAPTURED UNDER CONNECTOR MOLD MATERIAL. A 35MM PIECE OF SHRINK TUBING SHOULD OVERLAP THE MOLD BODY AND THE TUBING.

2. "W/M" DESIGNATES SPECIAL MOUNTING SCREW.

RELATED DOCUMENTS		3RD ANGLE PROJECTION		THIS DRAWING IS CONFIDENTIAL AND THE PROPERTY OF TURCK INC. USE OF THIS DOCUMENT WITHOUT WRITTEN PERMISSION IS PROHIBITED.		 3000 CAMPUS DRIVE MINNEAPOLIS, MN 55441 1-800-544-7769 (763) 553-7300 (763) 553-0708 fax www.turck.us			
1.				DRFT RDS		DATE 09/23/15			
2.				APVD A.F.		SCALE 1=1.0			
3.				UNIT OF MEASUREMENT				DESCRIPTION	
4.				INCH [MILLIMETER]				BIM-UNR-AN6X-0.3-RS4T/S1144 W/M	
MATERIAL		ALL DIMENSIONS DISPLAYED ON THIS DRAWING ARE FOR REFERENCE ONLY		CONTACT TURCK FOR MORE INFORMATION		IDENTIFICATION NO.			
SEE SPECIFICATIONS						46858477			
FINISH						REV			
SEE SPECIFICATIONS						E			
E UPDATE SPECS		NF 06/16/25		81245		FILE: 46858477			
REV DESCRIPTION		BY DATE		ECO NO.		SHEET 1 OF 2			