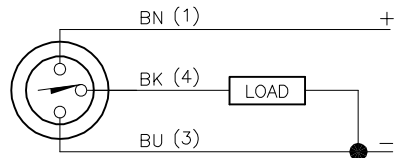


WIRING DIAGRAM

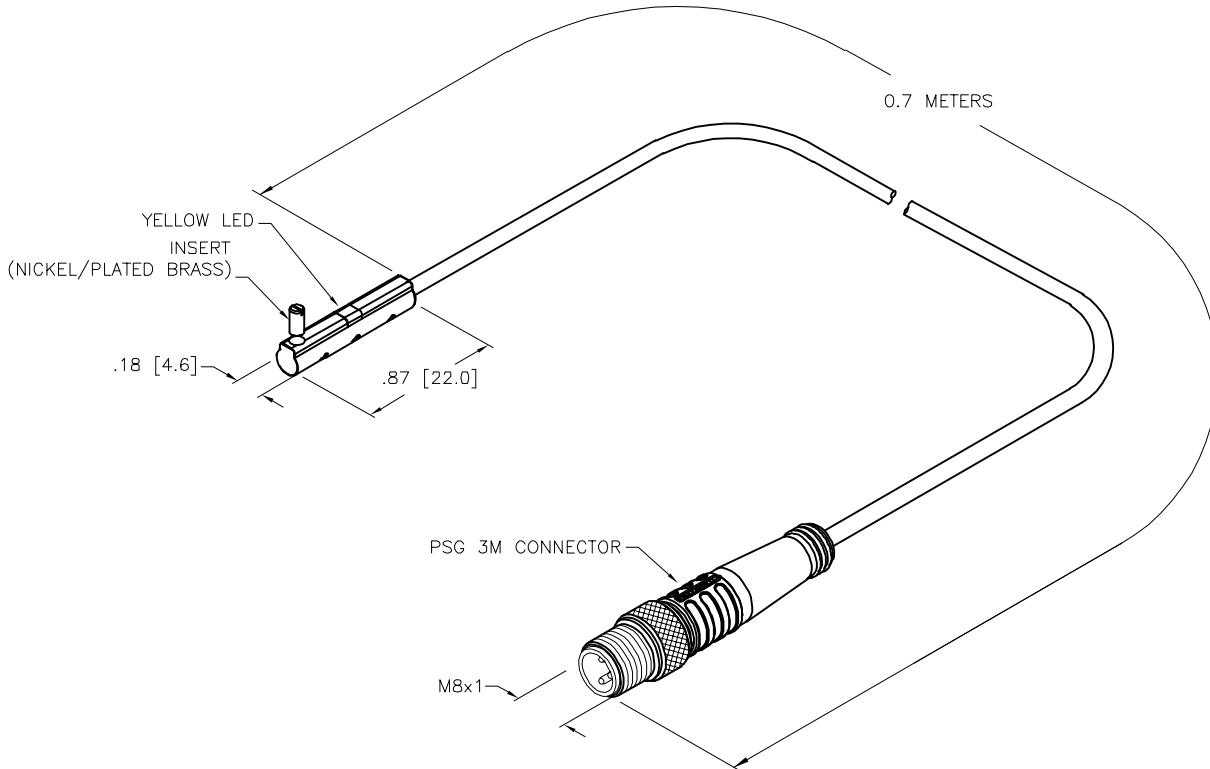


OUTPUT: AP6X

SHORT-CIRCUIT AND OVERLOAD PROTECTED

SPECIFICATIONS

PASS SPEED	≤0.3 m/s
HYSTERESIS	≤1mm (≤0.039")
TEMPERATURE DRIFT	≤0.3mm (≤0.012")
OPERATING TEMPERATURE	-25°C to +70°C (-13°F to +158°F)
RATED OPERATIONAL VOLTAGE	11-30 VDC
MAX. RIPPLE	≤10%
DC RATED OPERATIONAL CURRENT	≤ 100 mA
NO-LOAD CURRENT	≤ 15 mA
RESIDUAL CURRENT	≤0.1 mA
MAX. SWITCHING FREQUENCY	≤0.02 kHz
RATED INSULATION VOLTAGE	≤0.5 kV
OUTPUT FUNCTION	NORMALLY OPEN, 3-WIRE, PNP
SHORT-CIRCUIT PROTECTION	YES, CYCLIC
MAX. VOLTAGE DROP	≤ 1.8 V
WIRE BREAKAGE PROTECTION	YES/COMPLETE
REVERSE POLARITY PROTECTION	YES/COMPLETE
HOUSING MATERIAL	PLASTIC, PP-GF20
ACTIVE FACE MATERIAL	PLASTIC, PP-GF20
CABLE	∅2.0, TPU
VIBRATION	55 Hz, 1 mm AMPLITUDE (IN ALL 3 PLANES)
SHOCK	30 g, 11 ms
DEGREE OF PROTECTION	IP67
SWITCHING STATUS INDICATION	LED, YELLOW
INSERT MAX TIGHTENING TORQUE	0.1 Nm



SOURCE DRAWING - FOR REFERENCE ONLY

RELATED DOCUMENTS 1. 2. 3. 4.	3RD ANGLE PROJECTION 	THIS DRAWING IS CONFIDENTIAL AND THE PROPERTY OF TURCK INC. USE OF THIS DOCUMENT WITHOUT WRITTEN PERMISSION IS PROHIBITED.		3000 CAMPUS DRIVE MINNEAPOLIS, MN 55441 1-800-544-7769 (763) 553-7300 (763) 553-0708 fax www.turck.us		
	MATERIAL	DRFT NF APVD A.F.	DATE 03/22/19 SCALE 1=1.0	DESCRIPTION BIM-UNC-AP6X-0.7-PSG3M		
	FINISH	ALL DIMENSIONS DISPLAYED ON THIS DRAWING ARE FOR REFERENCE ONLY CONTACT TURCK FOR MORE INFORMATION	UNIT OF MEASUREMENT NCH [MILLIMETER]		IDENTIFICATION NO. 4414775	REV B
	DO NOT SCALE THIS DRAWING		FILE: 4414775		SHEET 1 OF 1	

B	UPDATE SPECS	KB	06/16/25	81244
REV	DESCRIPTION	BY	DATE	ECO NO.