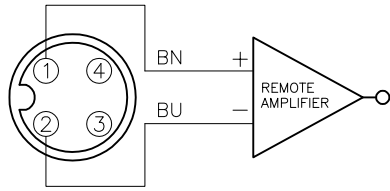


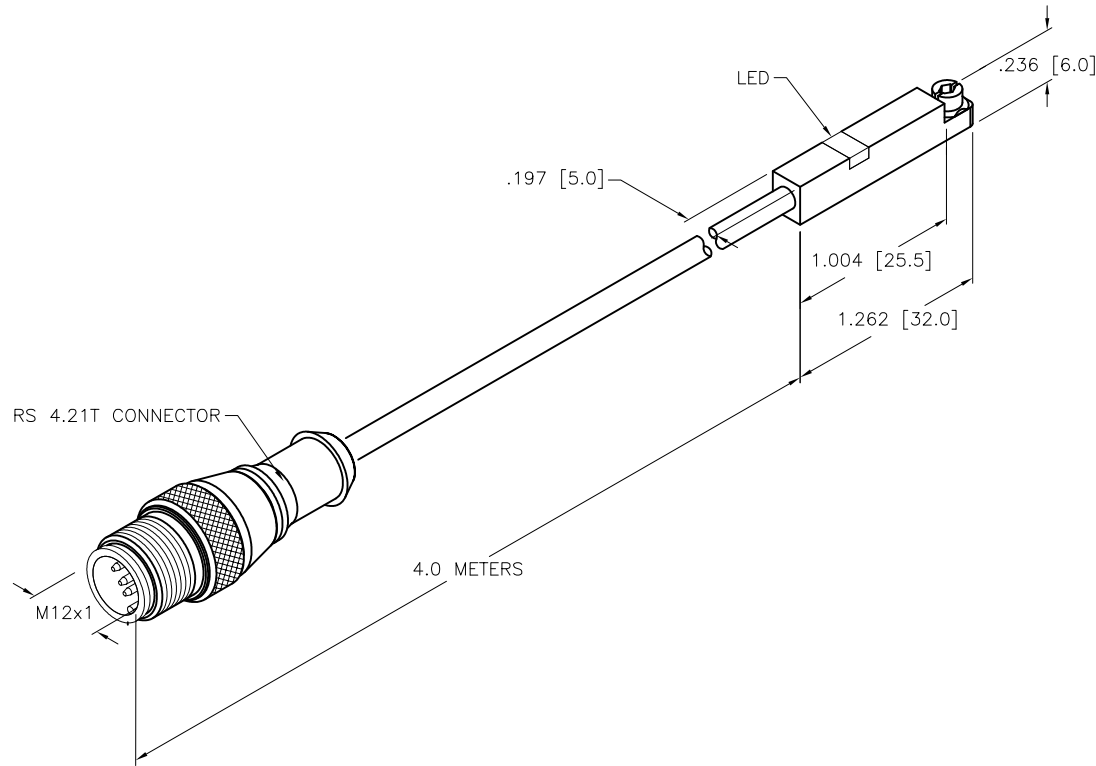
WIRING DIAGRAM



OUTPUT: Y1X

SPECIFICATIONS

PASS SPEED	≤ 10 m/s
REPEATABILITY	≥ ±0.1mm
TEMPERATURE DRIFT	≤ 0.1mm
HYSTERESIS	≤ 1mm
OPERATING TEMPERATURE	-25°C to +70°C (-13°F to +158°F)
OUTPUT FUNCTION	2-WIRE, MAMUR
SWITCHING FREQUENCY	≤ 1.0 kHz
VOTAGE	MON. 8.2 VDC
NON-ACTUATED CURRENT CONSUMPTION	≤ 1.2 mA
ACTUATED CURRENT CONSUMPTION	≥ 2.1 mA
APPROVAL ACCORDING TO:	KEMA 02 ATEX 1090X
INTERNAL INDUCTIVITY (L <sub>i</sub> )/CAPACITIVITY (C <sub>i</sub> )	150 nF/150 mH
MARKING OF DEVICE	II 1 G Ex ia IIC T6/ II D 1 Ex ia D 20 T95° (max. U <sub>i</sub> = 20 V, I <sub>i</sub> = 60mA, P <sub>i</sub> = 80 mW)
HOUSING MATERIAL	PLASTIC, PA12
ACTIVE FACE MATERIAL	PLASTIC, PA12
CABLE	∅3.0, PVC/BLUE
VIBRATION RESISTANCE	55 Hz, (1 mm)
SHOCK RESISTANCE	30 g, (11 ms)
PROTECTION CLASS	IP67
SWITCHING STATUS INDICATION	LED, YELLOW



SOURCE DRAWING - FOR REFERENCE ONLY

RELATED DOCUMENTS		3RD ANGLE PROJECTION		THIS DRAWING IS CONFIDENTIAL AND THE PROPERTY OF TURCK INC. USE OF THIS DOCUMENT WITHOUT WRITTEN PERMISSION IS PROHIBITED.		 3000 CAMPUS DRIVE MINNEAPOLIS, MN 55441 1-800-544-7769 (763) 553-7300 (763) 553-0708 fax www.turck.us	
1.			ALL DIMENSIONS DISPLAYED ON THIS DRAWING ARE FOR REFERENCE ONLY	DRFT	RDS	DATE	01/14/14
2.				APVD	A.F.	SCALE	1=1.0
3.		UNIT OF MEASUREMENT				DESCRIPTION	
4.		<b>INCH [ MILLIMETER ]</b>				BIM-INT-Y1X-4-RS4.21T W/M	
MATERIAL		SEE SPECIFICATIONS		IDENTIFICATION NO.		REV	
FINISH		SEE SPECIFICATIONS		CONTACT TURCK FOR MORE INFORMATION		10568001 B	
B		UPDATE ID NUMBER PER HARMONIZATION PROJECT		DO NOT SCALE THIS DRAWING		FILE: 10568001	
REV		DESCRIPTION		SHEET 1 OF 1		ECO NO.	

B	UPDATE ID NUMBER PER HARMONIZATION PROJECT	CBM	12/20/17	
REV	DESCRIPTION	BY	DATE	ECO NO.