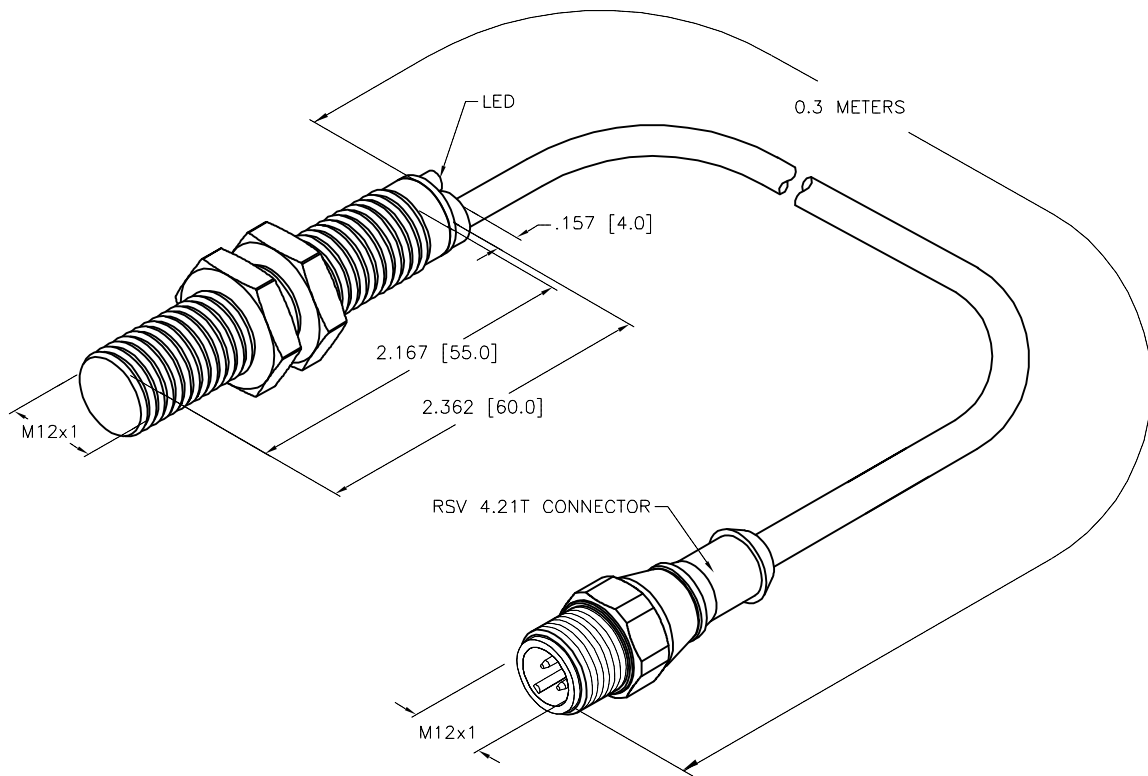


SPECIFICATIONS	
RATED OPERATING DISTANCE	90mm [3.54"]
MIN. REPEAT ACCURACY	≤ 0.3%
TEMPERATURE DRIFT	≤ ± 15%
HYSTERESIS	1-10%
OPERATING TEMPERATURE	-25°C to +70°C (-13°F to +158°F)
OUTPUT FUNCTION	2-WIRE, NAMUR
SWITCHING FREQUENCY	≤ 1.0 kHz
OPERATING VOLTAGE	NOM. 8.2 VDC
NON-ACTUATED CURRENT CONSUMPTION	≤ 1.2 mA
ACTUATED CURRENT CONSUMPTION	≥ 2.1 mA
APPROVAL ACCORDING TO:	KEMA 02 ATEX 1090X Output no.:3
INTERNAL INDUCTANCE (L _i)/CAPACITANCE (C _i)	150 nF/150 μH
MARKING ON THE DEVICE	⊕ II 1 G Ex ia IIC T4/II 1 D Ex ia D 20 T115°C (max. U _i = 20 V, I _i = 60 mA, P _i = 200 mW)
HOUSING MATERIAL	STAINLESS STEEL
ACTIVE FACE MATERIAL	PLASTIC, PA12-GF30
CABLE	ø5.2, LifYY-11Y, BLUE, TPU
SHOCK RESISTANCE	30 g, 11 ms
VIBRATION RESISTANCE	55 Hz, 1 mm AMPLITUDE (IN ALL 3 PLANES)
DEGREE OF PROTECTION	IP67
SWITCHING STATUS INDICATION	LED; YELLOW



SOURCE DRAWING - FOR REFERENCE ONLY

RELATED DOCUMENTS		3RD ANGLE PROJECTION		THIS DRAWING IS CONFIDENTIAL AND THE PROPERTY OF TURCK INC. USE OF THIS DOCUMENT WITHOUT WRITTEN PERMISSION IS PROHIBITED.		<p>3000 CAMPUS DRIVE MINNEAPOLIS, MN 55441 1-800-544-7769 (763) 553-7300 (763) 553-0708 fax www.turck.us</p>	
1.				DRFT	RDS	DATE	10/26/17
2.				APVD	A.F.	SCALE	1=1.0
3.		ALL DIMENSIONS DISPLAYED ON THIS DRAWING ARE FOR REFERENCE ONLY		UNIT OF MEASUREMENT		DESCRIPTION	
4.		SEE NOTES		INCH [MILLIMETER]		BIM-EM12E-Y1X-0.3-RSV4.21T	
MATERIAL		SEE NOTES		DO NOT SCALE THIS DRAWING		IDENTIFICATION NO.	
FINISH		SEE NOTES		CONTACT TURCK FOR MORE INFORMATION		4417052	
A		DRAWING RELEASE		RDS		10/26/17	
REV		DESCRIPTION		BY		DATE	
		ECO NO.				FILE: 4417052	
						SHEET 1 OF 1	