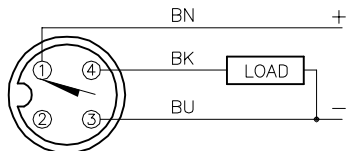
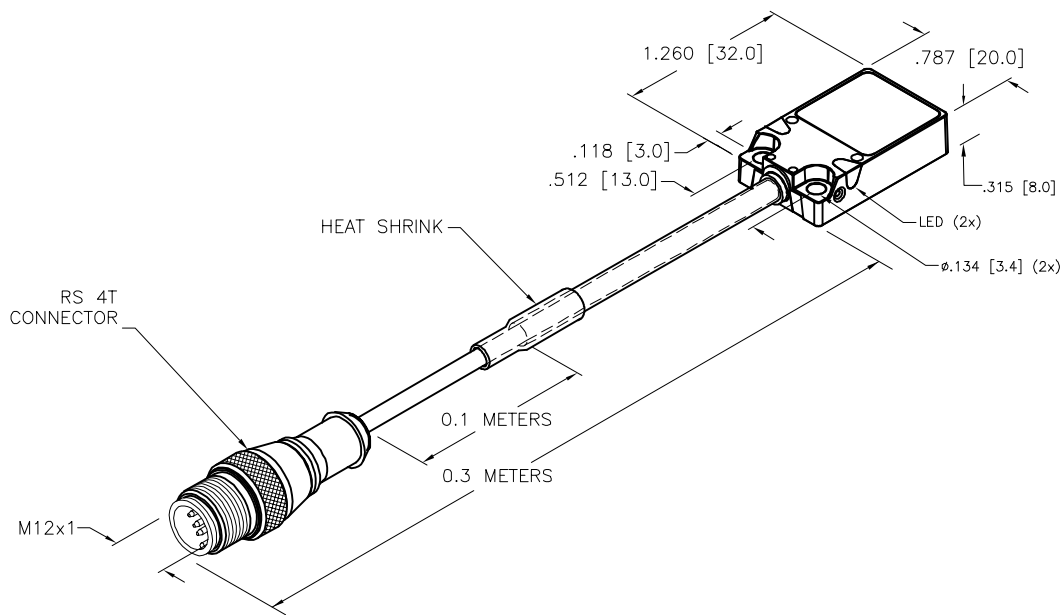


WIRING DIAGRAM



OUTPUT: AP6X2

SHORT-CIRCUIT AND OVERLOAD PROTECTED



SPECIFICATIONS

RATED OPERATING DISTANCE	8mm = .315" (NOMINAL)
MOUNTING MODE	FLUSH
TEMPERATURE DRIFT	≤±10% ≤±15%, ≤25°C v ≥ +70°C
HYSTERESIS	3-15%
MIN. REPEAT ACCURACY	≤2%
OPERATING TEMPERATURE	-25°C TO +70°C (-13°F +158°F)
RATED OPERATIONAL VOLTAGE	10-30 VDC
RESIDUAL RIPPLE	≤10%
DC RATED OPERATIONAL CURRENT	≤200 mA
NO-LOAD CURRENT	≤15 mA
RESIDUAL CURRENT	≤0.1 mA
RATED INSULATION VOLTAGE	≤0.5 kV
SHORT-CIRCUIT PROTECTED	YES
MAX. VOLTAGE DROP	≤1.8 V
REVERSE POLARITY PROTECTION	INCORPORATED
WIRE-BREAK PROTECTION	INCORPORATED
OUTPUT FUNCTION	NORMALLY OPEN, 3-WIRE, PNP
MAX. SWITCHING FREQUENCY	≤0.25 kHz
HOUSING MATERIAL	METAL, ZAMAK, NICKEL-PLATED
ACTIVE FACE MATERIAL	PLASTIC, PP, YELLOW
CABLE DIAMETER/MATERIAL	ø3mm, LifY-11Y, TPU
SHOCK	30 g, 11 ms
VIBRATION	55 Hz, 1 mm AMPLITUDE (IN ALL 3 PLANES)
DEGREE OF PROTECTION	IP68 (SENSOR) IP67 (CONNECTOR)
OPERATING VOLTAGE DISPLAY	LED: GREEN
SWITCHING STATUS INDICATION	LED: YELLOW

SOURCE DRAWING - FOR REFERENCE ONLY

1. "/S1764" WELDGUARD COATED SENSOR WITH FIREFAST VITON SLEEVING. SLEEVE STARTS ON SENSOR END, AND COVERS ALL BUT 100MM OF CABLE HELD IN PLACE BY SHRINK TUBE.

RELATED DOCUMENTS 1. 2. 3. 4.	3RD ANGLE PROJECTION 	THIS DRAWING IS CONFIDENTIAL AND THE PROPERTY OF TURCK INC. USE OF THIS DOCUMENT WITHOUT WRITTEN PERMISSION IS PROHIBITED.		3000 CAMPUS DRIVE MINNEAPOLIS, MN 55441 1-800-544-7769 (763) 553-7300 (763) 553-0708 fax www.turck.us	
	MATERIAL SEE NOTES	DRFT KMY APVD A.F.	DATE 09/10/13 SCALE 1=1.3	DESCRIPTION BI8U-Q08-AP6X2-0.3-RS4T/S1764	
FINISH SEE NOTES	ALL DIMENSIONS DISPLAYED ON THIS DRAWING ARE FOR REFERENCE ONLY	UNIT OF MEASUREMENT INCH [MILLIMETER]		IDENTIFICATION NO. 16620064	REV C
C UPDATE SPECS AND SENSOR BODY	RDS 03/12/21	76563	DO NOT SCALE THIS DRAWING		
REV DESCRIPTION	BY DATE	ECO NO.	FILE: 16620064	SHEET 1 OF 1	