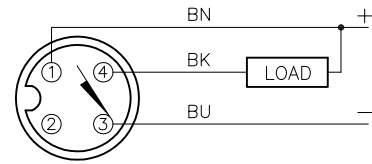


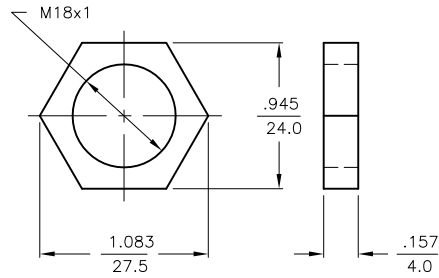
WIRING DIAGRAM



OUTPUT: AN6X

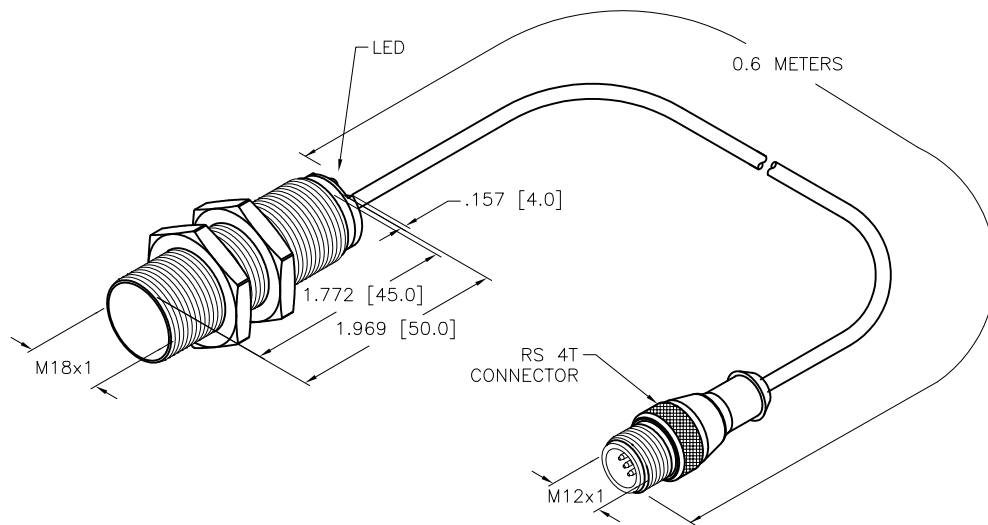
SHORT-CIRCUIT AND OVERLOAD PROTECTED

LOCKNUT LN-M18


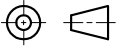


SPECIFICATIONS

|                              |                                     |
|------------------------------|-------------------------------------|
| RATED OPERATING DISTANCE     | 8mm [.315]                          |
| MOUNTING MODE                | FLUSH                               |
| MIN. REPEAT ACCURACY         | ≤ 2%                                |
| TEMPERATURE DRIFT            | ≤ ±10%<br>≤ ±15%, ≤ -25°C v ≥ +70°C |
| HYSTERESIS                   | 3-15%                               |
| OPERATING TEMPERATURE        | -30°C to +85°C (-22°F to +185°F)    |
| RATED OPERATIONAL VOLTAGE    | 10-30 VDC                           |
| RESIDUAL RIPPLE              | ≤ 10%                               |
| DC RATED OPERATIONAL CURRENT | ≤ 200 mA                            |
| NO-LOAD CURRENT              | ≤ 15 mA                             |
| RESIDUAL CURRENT             | ≤ 0.1 mA                            |
| RATED INSULATION VOLTAGE     | ≤ 0.5 kV                            |
| SHORT-CIRCUIT PROTECTION     | YES                                 |
| MAX. VOLTAGE DROP            | ≤ 1.8 V                             |
| WIRE BREAKAGE PROTECTION     | INCORPORATED                        |
| REVERSE POLARITY PROTECTION  | INCORPORATED                        |
| OUTPUT FUNCTION              | 3-WIRE, NORMALLY OPEN, NPN          |
| MAX. SWITCHING FREQUENCY     | ≤ 1.5 kHz                           |
| HOUSING MATERIAL             | BRASS, CHROME PLATED                |
| ACTIVE FACE                  | PLASTIC, LCP-GF30                   |
| END CAP                      | PLASTIC, EPTR                       |
| CABLE                        | ∅5.2, PVC                           |
| VIBRATION RESISTANCE         | 55 Hz (IN ALL 3 PLANES)             |
| SHOCK RESISTANCE             | 30 g, 11 ms                         |
| DEGREE OF PROTECTION         | IP 68                               |
| SWITCHING STATUS INDICATION  | LED, YELLOW                         |



SOURCE DRAWING - FOR REFERENCE ONLY

|                   |  |   |                            |  |                    |  |     |
|-------------------|--|---|----------------------------|--|--------------------|--|-----|
| RELATED DOCUMENTS |  | 3RD ANGLE PROJECTION  |                            | THIS DRAWING IS CONFIDENTIAL AND THE PROPERTY OF TURCK INC. USE OF THIS DOCUMENT WITHOUT WRITTEN PERMISSION IS PROHIBITED. |                    |  <p>3000 CAMPUS DRIVE<br/>MINNEAPOLIS, MN 55441<br/>1-800-544-7769<br/>(763) 553-7300<br/>(763) 553-0708 fax<br/>www.turck.us</p> |     |
| 1.                |  |                      | DRFT                       | RDS  | DATE               | DESCRIPTION  |     |
| 2.                |  |   | APVD                       | A.F.   | 10/22/13           | B18U-M18-AN6X-0.6-RS4T   |     |
| 3.                |  | ALL DIMENSIONS DISPLAYED ON THIS DRAWING ARE FOR REFERENCE ONLY<br><br>CONTACT TURCK FOR MORE INFORMATION | UNIT OF MEASUREMENT        |  | IDENTIFICATION NO. |  | REV |
| 4.                |  |   | <b>INCH [ MILLIMETER ]</b> |  | 16447360           |  | B   |
| MATERIAL          |  | SEE NOTE  |                            | DO NOT SCALE THIS DRAWING  |                    | FILE: 16447360   |     |
| FINISH            |  | SEE NOTE  |                            |  |                    | SHEET 1 OF 1   |     |

|     |  |     |          |         |
|-----|--|-----|----------|---------|
| B   | UPDATE ID NUMBER PER HARMONIZATION PROJECT | CBM | 12/20/17 |         |
| REV | DESCRIPTION                                | BY  | DATE     | ECO NO. |