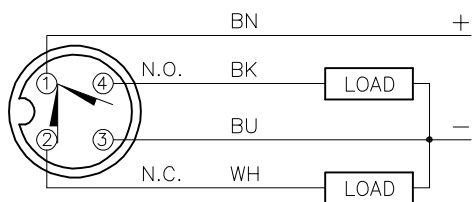
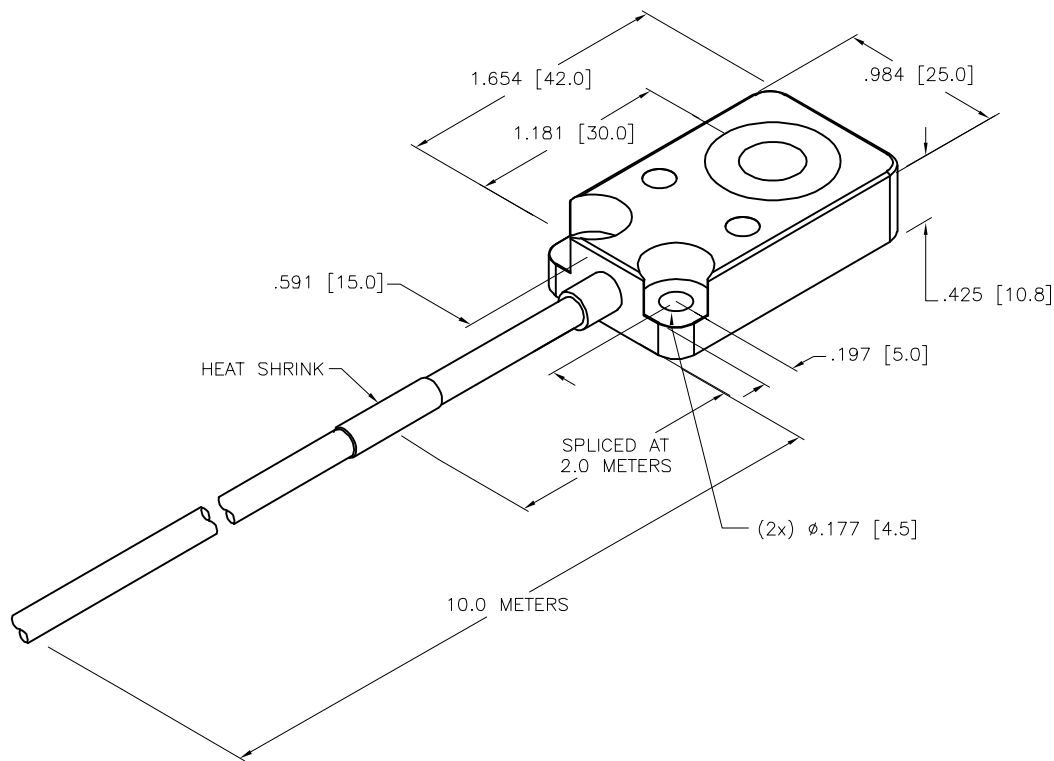


WIRING DIAGRAM



OUTPUT: VP6X2

SHORT-CIRCUIT AND OVERLOAD PROTECTED



SPECIFICATIONS

RATED OPERATING DISTANCE	8mm = .315" (NOMINAL)
MOUNTING MODE	FLUSH
TEMPERATURE DRIFT	≤ ±10%
HYSTERESIS	3-15%
MIN. REPEAT ACCURACY	≤ 2%
OPERATING TEMPERATURE	-25°C to +70°C (-13°F to +158°F)
OPERATING VOLTAGE	10-30 VDC
DC RATED OPERATIONAL CURRENT	≤ 200 mA
NO-LOAD CURRENT	≤ 15.0 mA
RESIDUAL CURRENT	≤ 0.1 mA
RATED INSULATION VOLTAGE	≤ 0.5 kV
SHORT-CIRCUIT PROTECTION	YES/CYCLIC
MAX. VOLTAGE DROP	≤ 1.8 V
WIRE BREAKAGE PROTECTION	INCORPORATED
REVERSE POLARITY PROTECTION	INCORPORATED
OUTPUT FUNCTION	4-WIRE, CHANGE OVER, PNP
MAX. SWITCHING FREQUENCY	≤ 1.0 kHz
HOUSING MATERIAL	PLASTIC, PBT-GF30-V0
ACTIVE FACE	PLASTIC, PBT-GF30-V0
CABLE	Ø4.0,PUR (SENSOR); Ø4.1,PVC (SPLICE)
VIBRATION RESISTANCE	55 Hz, 1 mm AMPLITUDE (IN ALL 3 PLANES)
SHOCK RESISTANCE	30 g, 11 ms
DEGREE OF PROTECTION	IP67
OPERATING VOLTAGE DISPLAY	LED, GREEN
SWITCHING STATUS INDICATION	LED, YELLOW

SOURCE DRAWING - FOR REFERENCE ONLY

RELATED DOCUMENTS 1. 2. 3. 4.	3RD ANGLE PROJECTION 	THIS DRAWING IS CONFIDENTIAL AND THE PROPERTY OF TURCK INC. USE OF THIS DOCUMENT WITHOUT WRITTEN PERMISSION IS PROHIBITED.		3000 CAMPUS DRIVE MINNEAPOLIS, MN 55441 1-800-544-7769 (763) 553-7300 (763) 553-0708 fax www.turck.us		
	MATERIAL SEE SPECIFICATIONS	ALL DIMENSIONS DISPLAYED ON THIS DRAWING ARE FOR REFERENCE ONLY CONTACT TURCK FOR MORE INFORMATION	DRFT KMY APVD A.F.	DATE 04/11/14 SCALE 1=1.0	DESCRIPTION B18-Q10-VP6X2 10M SPLICED	
	FINISH SEE SPECIFICATIONS		UNIT OF MEASUREMENT INCH [MILLIMETER]		IDENTIFICATION NO. 4616499	REV C
	DO NOT SCALE THIS DRAWING		FILE: 4616499		SHEET 1 OF 1	

C	UPDATE CABLE SPEC	NF	07/01/25	81261
REV	DESCRIPTION	BY	DATE	ECO NO.