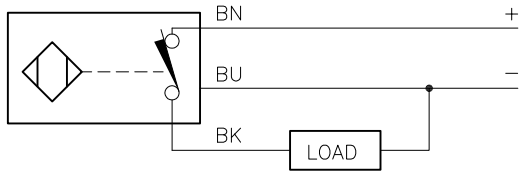


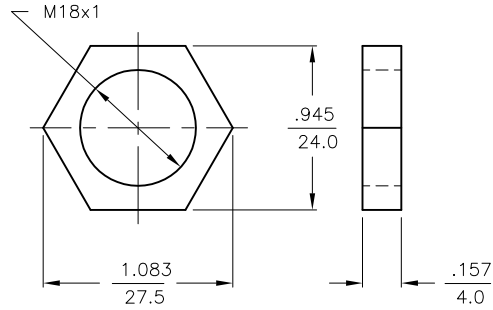
WIRING DIAGRAM



OUTPUT: RP6X

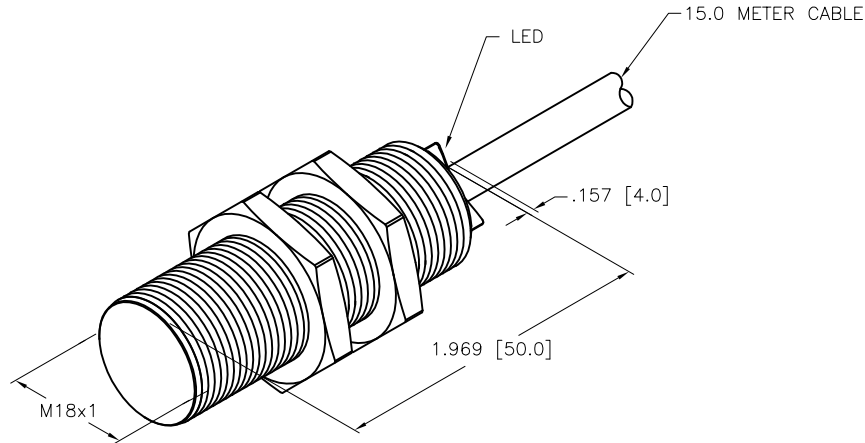
SHORT-CIRCUIT AND OVERLOAD PROTECTED

LOCKNUT LN-M18



SPECIFICATIONS

RATED OPERATING DISTANCE	8mm [.315"]
MOUNTING MODE	FLUSH
HYSTERESIS	3-15%
MIN. REPEAT ACCURACY	≤ 2%
TEMPERATURE DRIFT	≤ ± 10%
OPERATING TEMPERATURE	-40°C to +70°C (-40°F to +158°F)
RATED OPERATIONAL VOLTAGE	10-30 VDC
RESIDUAL RIPPLE	≤ 10%
RATED OPERATIONAL CURRENT	≤ 200 mA
NO-LOAD CURRENT	≤ 15 mA
RESIDUAL CURRENT	≤ 0.1 mA
RATED INSULATION VOLTAGE	≤ 0.5 kV
SHORT-CIRCUIT PROTECTED	YES
MAX. VOLTAGE DROP	≤ 1.8 V
ELECTROSTATIC DISCHARGES	PER IEC 60947-5-2 IN ACCORDANCE TO 61000-4-2
RADIATED RADIO-FREQUENCY ELECTROMAGNETIC FIELDS	PER IEC 60947-5-2 IN ACCORDANCE TO 61000-4-3
TRANSIENT PROTECTION	PER EN60947-5-2
REVERSE POLARITY PROTECTION	INCORPORATED
WIRE-BREAK PROTECTION	INCORPORATED
OUTPUT FUNCTION	3-WIRE, NORMALLY CLOSED, PNP
SWITCHING FREQUENCY	≤ 0.5 kHz
HOUSING MATERIAL	METAL, BRASS, CHROME-PLATED
ACTIVE FACE	PLASTIC, PA12-GF20
END CAP MATERIAL	PLASTIC, EPTR
CABLE	∅5.7, PVC
SHOCK RESISTANCE	30 g, 11 ms
VIBRATION RESISTANCE	55 Hz, 1 mm AMPLITUDE (IN ALL 3 PLANES)
DEGREE OF PROTECTION	IP67
SWITCHING STATUS INDICATION	LED, YELLOW
MAX TIGHTENING TORQUE MOUNTING NUT	25Nm




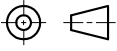
SOURCE DRAWING - FOR REFERENCE ONLY

NOTES:

1. "/S1684" DESIGNATES SPECIAL CABLE:

CABLE SPECS:  
22 AWG/3 RU AWM 105C 600V GRAY PVC CABLE 24GA DRAIN, ALUMINUM FOIL SHIELD.

SENSOR RATED TO -40 C.

RELATED DOCUMENTS		3RD ANGLE PROJECTION		THIS DRAWING IS CONFIDENTIAL AND THE PROPERTY OF TURCK INC. USE OF THIS DOCUMENT WITHOUT WRITTEN PERMISSION IS PROHIBITED.		 3000 CAMPUS DRIVE MINNEAPOLIS, MN 55441 1-800-544-7769 (763) 553-7300 (763) 553-0708 fax www.turck.us	
1. 2. 3. 4.				DRFT RDS DATE 08/27/10		DESCRIPTION B18-G18-RP6X/S1684 15M	
MATERIAL SEE SPECS		ALL DIMENSIONS DISPLAYED ON THIS DRAWING ARE FOR REFERENCE ONLY		APVD SCALE 1=1.0		IDENTIFICATION NO. 4616185	
FINISH SEE SPECS		CONTACT TURCK FOR MORE INFORMATION		UNIT OF MEASUREMENT <b>INCH [ MILLIMETER ]</b>		REV F	
F UPDATE ID NUMBER PER HARMONIZATION PROJECT		CBM 11/06/17		DO NOT SCALE THIS DRAWING		FILE: 4616185	
REV DESCRIPTION		BY DATE ECO NO.				SHEET 1 OF 1	