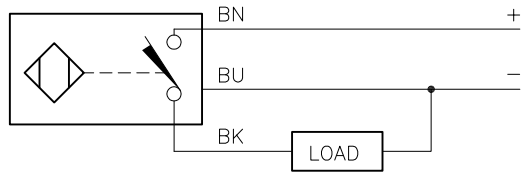


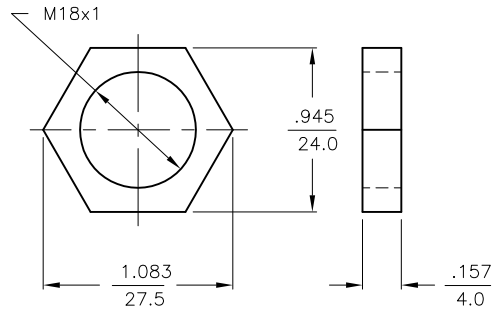
WIRING DIAGRAM



OUTPUT: AP6X

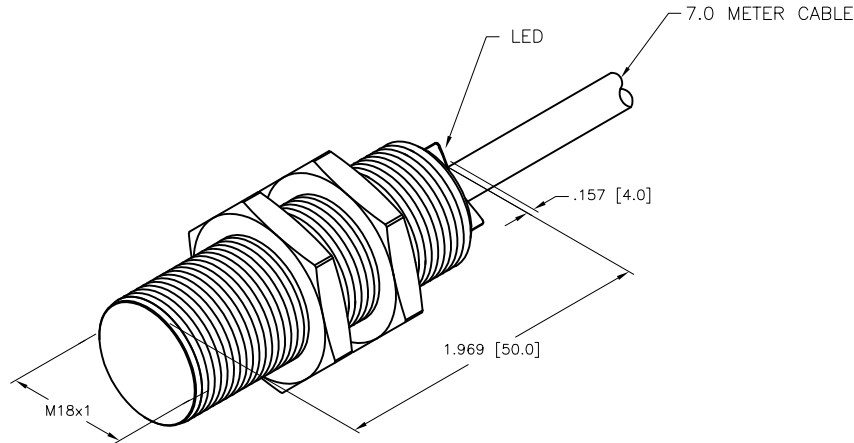
SHORT-CIRCUIT AND OVERLOAD PROTECTED

LOCKNUT LN-M18



SPECIFICATIONS

RATED OPERATING DISTANCE	8mm [.315"]
MOUNTING MODE	FLUSH
HYSTERESIS	3-15%
MIN. REPEAT ACCURACY	≤ 2%
TEMPERATURE DRIFT	≤ ± 10%
OPERATING TEMPERATURE	-40°C to +70°C (-40°F to +158°F)
RATED OPERATIONAL VOLTAGE	10-30 VDC
RESIDUAL RIPPLE	≤ ± 10%
RATED OPERATIONAL CURRENT	≤ 200 mA
NO-LOAD CURRENT	≤ 15 mA
RESIDUAL CURRENT	≤ 0.1 mA
RATED INSULATION VOLTAGE	≤ 0.5 kV
SHORT-CIRCUIT PROTECTED	YES
MAX. VOLTAGE DROP	≤ 1.8 V
ELECTROSTATIC DISCHARGES	PER IEC 60947-5-2 IN ACCORDANCE TO 61000-4-2
RADIATED RADIO-FREQUENCY ELECTROMAGNETIC FIELDS	PER IEC 60947-5-2 IN ACCORDANCE TO 61000-4-3
TRANSIENT PROTECTION	PER EN60947-5-2
REVERSE POLARITY PROTECTION	INCORPORATED
WIRE-BREAK PROTECTION	INCORPORATED
OUTPUT FUNCTION	3-WIRE, NORMALLY OPEN, PNP
MAX. SWITCHING FREQUENCY	≤ 0.5 kHz
HOUSING MATERIAL	METAL, BRASS, CHROME-PLATED
ACTIVE FACE	PLASTIC, PA12-GF20
END CAP MATERIAL	PLASTIC, EPTR
CABLE	∅5.3, PVC
SHOCK RESISTANCE	30 g, 11 ms
VIBRATION RESISTANCE	55 Hz, 1 mm AMPLITUDE (IN ALL 3 PLANES)
DEGREE OF PROTECTION	IP67
SWITCHING STATUS INDICATION	LED, YELLOW
MAX TIGHTENING TORQUE MOUNTING NUT	25Nm



SOURCE DRAWING - FOR REFERENCE ONLY

NOTES:

1. "/S1684" DESIGNATES SPECIAL CABLE:

CABLE SPECS:  
22 AWG/3 RU AWM 105C 600V GRAY PVC CABLE 24GA DRAIN, ALUMINUM FOIL SHIELD.

SENSOR RATED TO -40 C.

RELATED DOCUMENTS		3RD ANGLE PROJECTION		THIS DRAWING IS CONFIDENTIAL AND THE PROPERTY OF TURCK INC. USE OF THIS DOCUMENT WITHOUT WRITTEN PERMISSION IS PROHIBITED.		3000 CAMPUS DRIVE MINNEAPOLIS, MN 55441 1-800-544-7769 (763) 553-7300 (763) 553-0708 fax www.turck.us	
1. 2. 3. 4.				DRFT RDS DATE 11/09/04		DESCRIPTION B18-G18-AP6X/S1684 7M	
MATERIAL SEE NOTES		ALL DIMENSIONS DISPLAYED ON THIS DRAWING ARE FOR REFERENCE ONLY		APVD RDS SCALE 1=1.0		IDENTIFICATION NO. 46150882	
FINISH SEE NOTES		CONTACT TURCK FOR MORE INFORMATION		UNIT OF MEASUREMENT <b>INCH [ MILLIMETER ]</b>		REV H	
H UPDATE ID NUMBER PER HARMONIZATION PROJECT		CBM 03/26/18		DO NOT SCALE THIS DRAWING		FILE: 46150882	
REV DESCRIPTION		BY DATE ECO NO.				SHEET 1 OF 1	

H	UPDATE ID NUMBER PER HARMONIZATION PROJECT	CBM	03/26/18	
REV	DESCRIPTION	BY	DATE	ECO NO.