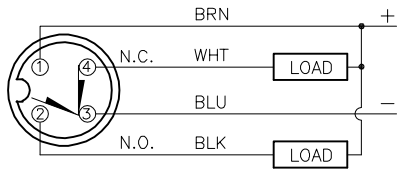


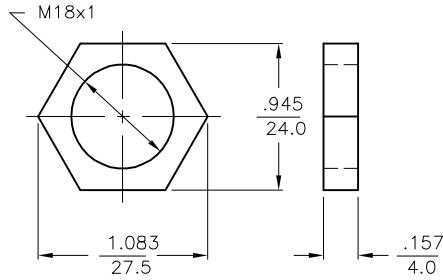
WIRING DIAGRAM



OUTPUT: VN45XLD

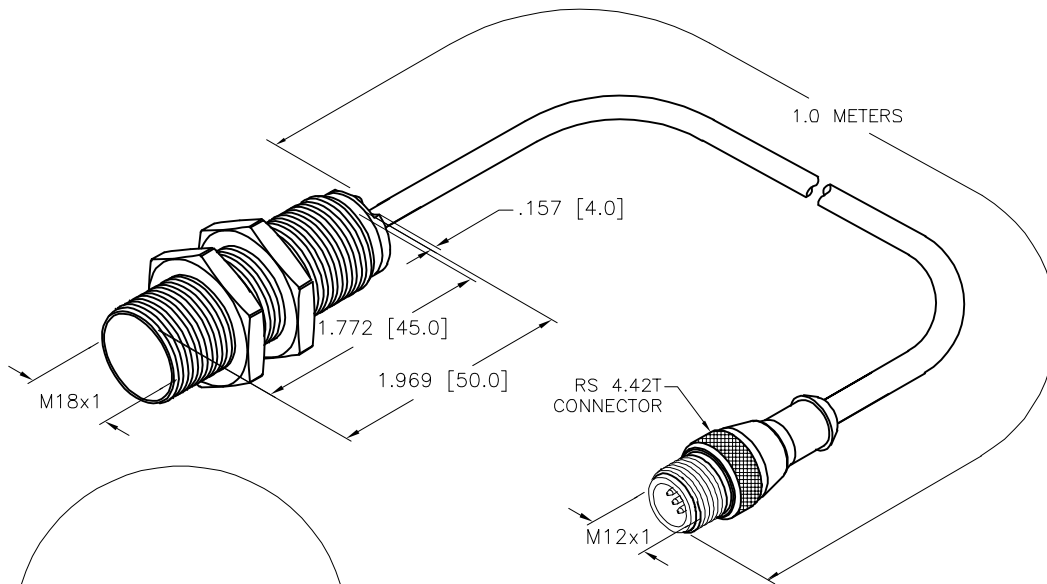
SHORT-CIRCUIT AND OVERLOAD PROTECTED

LOCKNUT LN-M18



SPECIFICATIONS

RATED OPERATING DISTANCE	8.0 mm [.315"]
MOUNTING MODE	FLUSH
TEMPERATURE DRIFT	≤ ±10% ≤ ±15%, ≤ -25°C V ≥ +70°C
HYSTERESIS	3-15%
MIN. REPEAT ACCURACY	≤ 2%
AMBIENT TEMPERATURE	-40°C to +85°C (-40°F to +185°F)
OPERATING VOLTAGE	8.4-65 VDC
RESIDUAL RIPPLE	≤ 10%
DC OPERATIONAL CURRENT	≤ 200 mA
NO-LOAD CURRENT	≤ 15 mA
RESIDUAL CURRENT	≤ 0.1 mA
RATED INSULATION VOLTAGE	≤ 0.5 kV
OUTPUT FUNCTION	4-WIRE, CHANGE-OVER, NPN
SHORT-CIRCUIT PROTECTION	YES
MAX. VOLTAGE DROP	≤ 1.8 V
WIRE BREAKAGE PROTECTION	INCORPORATED
REVERSE POLARITY PROTECTION	INCORPORATED
LOAD DUMP PROTECTION	IV/LEVEL 4, din 7637 (SAE J 1113-11)
SWITCHING FREQUENCY	≤ 0.5 kHz
HOUSING MATERIAL	SST, AISI 303 (1.4305)
ACTIVE FACE MATERIAL	PLASTIC, PA12-GF30
END CAP MATERIAL	PLASTIC, EPTR
CONNECTION	CABLE
CABLE	∅5.1, TPE, 4x22 AWG
VIBRATION RESISTANCE	55 Hz (IN ALL 3 PLANES)
SHOCK RESISTANCE	150 g, 6 ms, (IN ALL 3 PLANES)
DEGREE OF PROTECTION	IP68/IP69K
SWITCHING STATUS INDICATION	LED/YELLOW
NOISE IMMUNITY	100 V/m RADIATED & 100 mA BCI



1584991
B18-EM18-VN45XLD-1-RS4.42T
(DATE CODE)

PART NUMBER LASER
MARKED ON FACE

SOURCE DRAWING - FOR REFERENCE ONLY

RELATED DOCUMENTS 1. 2. 3. 4.	3RD ANGLE PROJECTION 	THIS DRAWING IS PROPERTY OF TURCK INC. USE OF THIS DOCUMENT WITHOUT WRITTEN PERMISSION IS PROHIBITED.		3000 CAMPUS DRIVE MINNEAPOLIS, MN 55441 1-800-544-7769 (763) 553-7300 (763) 553-0708 fax turck.com	
	MATERIAL SEE SPECIFICATIONS	ALL DIMENSIONS DISPLAYED ON THIS DRAWING ARE FOR REFERENCE ONLY CONTACT TURCK FOR MORE INFORMATION	DRFT TV DATE 10/26/16	DESCRIPTION B18-EM18-VN45XLD-1-RS4.42T	
	FINISH SEE SPECIFICATIONS		APVD A.F. SCALE 1=1.3	IDENTIFICATION NO. 1584991	
			UNIT OF MEASUREMENT INCH [MILLIMETER]		REV E

E	UPDATE LASER DETAIL	NF	02/03/26	81652
REV	DESCRIPTION	BY	DATE	ECO NO.

DO NOT SCALE THIS DRAWING

FILE: 1584991

SHEET 1 OF 1