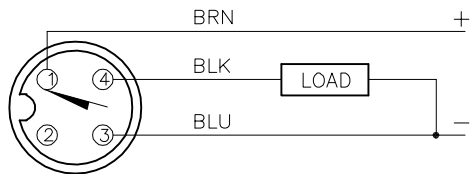


WIRING DIAGRAM

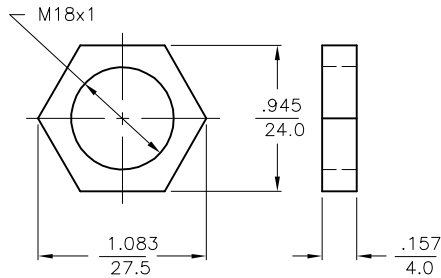
SST LOCKNUT LN-M18

SPECIFICATIONS

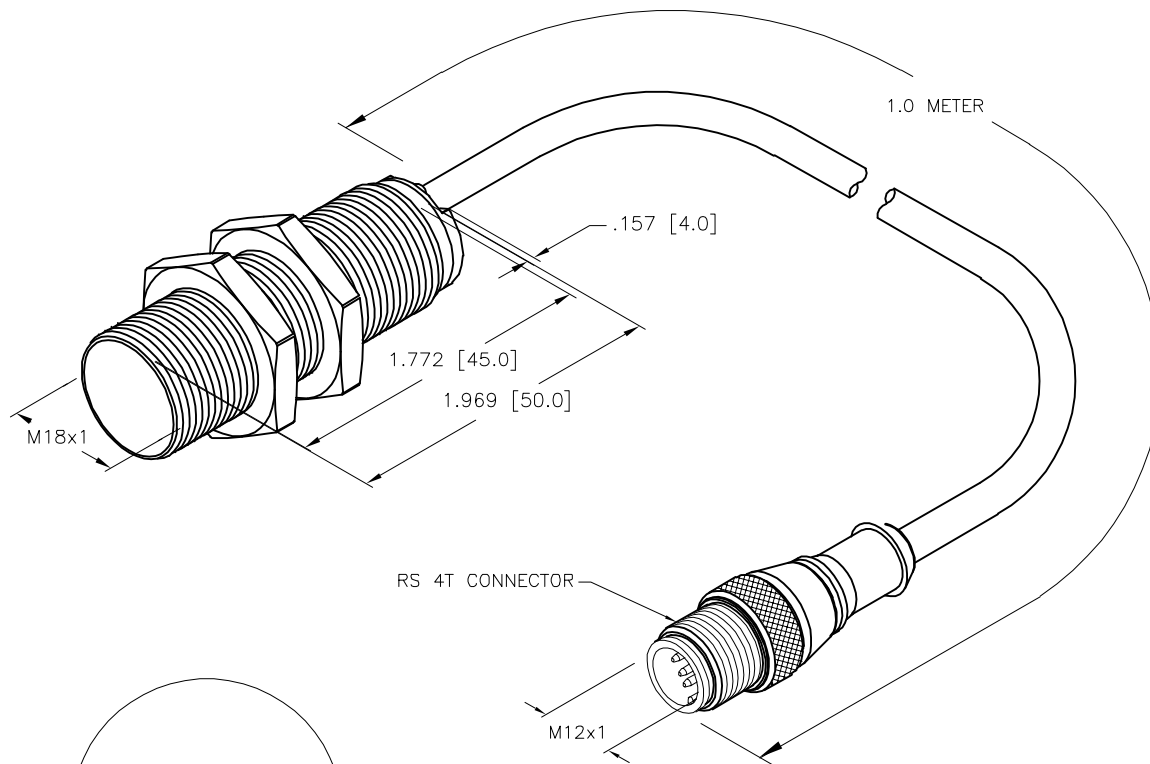


OUTPUT: AP45XLD

SHORT-CIRCUIT AND OVERLOAD PROTECTED



RATED OPERATING DISTANCE	8.0 mm [.315"]
MOUNTING MODE	FLUSH
TEMPERATURE DRIFT	≤ ±10% ≤ ±15%, ≤ -25°C V ≥ +70°C
HYSTERESIS	3-15%
MIN. REPEAT ACCURACY	≤ 2%
AMBIENT TEMPERATURE	-40°C to +85°C (-40°F to +185°F)
OPERATING VOLTAGE	8.4-65 VDC
RESIDUAL RIPPLE	≤ 10%
DC OPERATIONAL CURRENT	≤ 200 mA
NO-LOAD CURRENT	≤ 15 mA
RESIDUAL CURRENT	≤ 0.1 mA
RATED INSULATION VOLTAGE	≤ 0.5 kV
OUTPUT FUNCTION	3-WIRE, NORMALLY OPEN, PNP
SHORT-CIRCUIT PROTECTION	YES
MAX. VOLTAGE DROP	≤ 1.8 V
WIRE BREAKAGE PROTECTION	INCORPORATED
REVERSE POLARITY PROTECTION	INCORPORATED
LOAD DUMP PROTECTION	IV/LEVEL 4, din 40839 (SAE J 1113-11)
SWITCHING FREQUENCY	≤ 0.5 kHz
HOUSING MATERIAL	SST, AISI 303 (1.4305)
ACTIVE FACE MATERIAL	PLASTIC, PA12-GF30
END CAP MATERIAL	PLASTIC, EPTR
LOCKNUT MATERIAL	STAINLESS STEEL
CONNECTION	CABLE
CABLE	ø5.2, Lif32Y32Y, TPE
VIBRATION RESISTANCE	55 Hz (IN ALL 3 PLANES)
SHOCK RESISTANCE	150 g, 6 ms, (IN ALL 3 PLANES)
DEGREE OF PROTECTION	IP68/IP69K
SWITCHING STATUS INDICATION	LED/YELLOW
NOISE IMMUNITY	100 V/m RADIATED & 100 mA BCI



15840116  
(DATE CODE)

PART NUMBER LASER  
15840116 MARKED ON FACE

SOURCE DRAWING - FOR REFERENCE ONLY

RELATED DOCUMENTS 1. 2. 3. 4.	3RD ANGLE PROJECTION 	THIS DRAWING IS CONFIDENTIAL AND THE PROPERTY OF TURCK INC. USE OF THIS DOCUMENT WITHOUT WRITTEN PERMISSION IS PROHIBITED.		3000 CAMPUS DRIVE MINNEAPOLIS, MN 55441 1-800-544-7769 (763) 553-7300 (763) 553-0708 fax www.turck.us	
		MATERIAL SEE SPECIFICATIONS	DRFT NF DATE 02/11/16		
FINISH SEE SPECIFICATIONS	ALL DIMENSIONS DISPLAYED ON THIS DRAWING ARE FOR REFERENCE ONLY  CONTACT TURCK FOR MORE INFORMATION	UNIT OF MEASUREMENT <b>INCH [ MILLIMETER ]</b>		IDENTIFICATION NO. 15840116	REV E
E UPDATED DRAWING AS 09/29/23 79320	REV DESCRIPTION BY DATE ECO NO.	DO NOT SCALE THIS DRAWING		FILE: 15840116	SHEET 1 OF 1