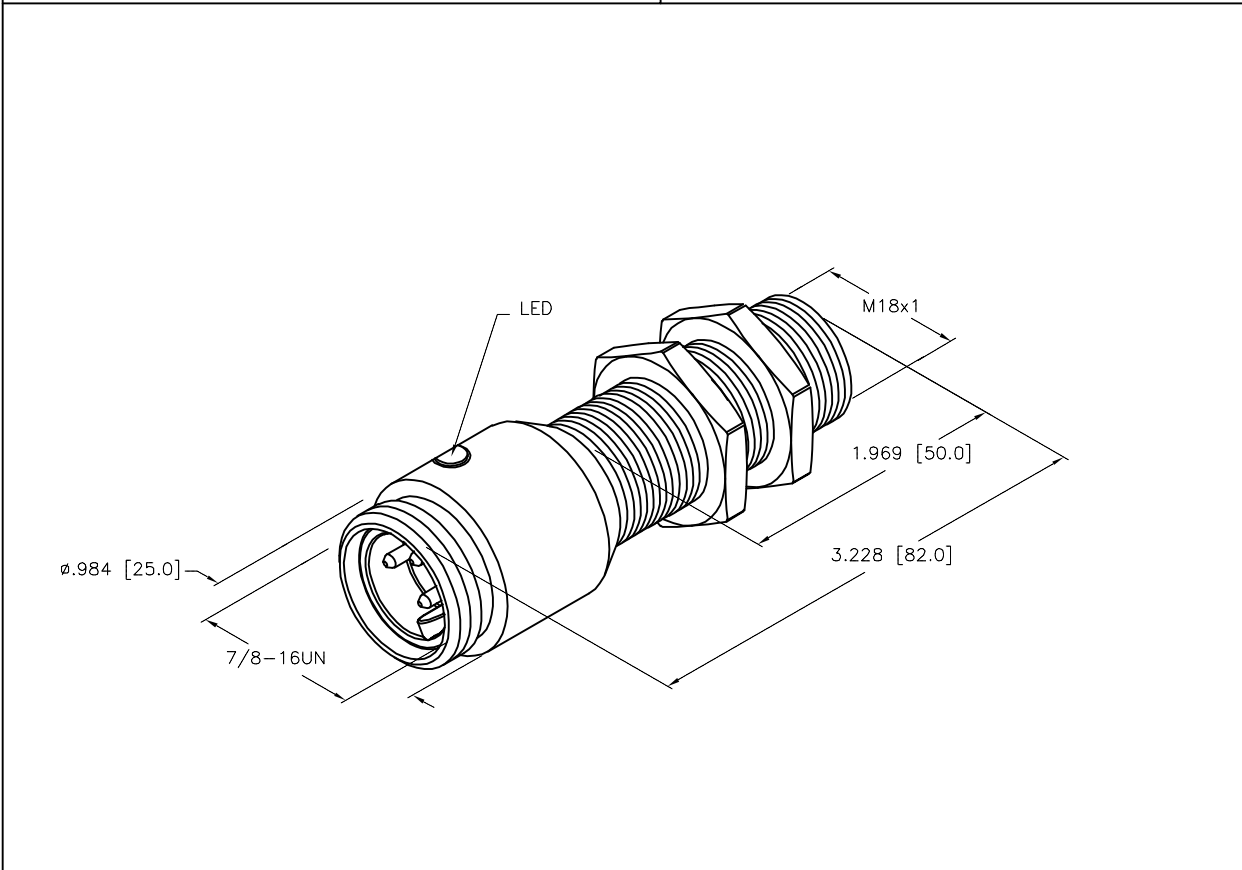


SPECIFICATIONS	
RATED OPERATING DISTANCE	8mm [.315"]
MOUNTING MODE	FLUSH
HYSTERESIS	3-15%
MIN. REPEAT ACCURACY	≤ 2%
TEMPERATURE DRIFT	≤ ± 10%
OPERATING TEMPERATURE	-25°C to +70°C (-13°F to +158°F)
RATED OPERATIONAL VOLTAGE	20-250 VAC/10-300 VDC
RESIDUAL RIPPLE	≤ 10%
RATED OPERATIONAL CURRENT	≤ 200 mA
NO-LOAD CURRENT	≤ 15 mA
RESIDUAL CURRENT	≤ 0.1 mA
RATED INSULATION VOLTAGE	≤ 0.5 kV
SHORT-CIRCUIT PROTECTION	YES
MAX. VOLTAGE DROP	≤ 1.8 V
WIRE BREAKAGE PROTECTION	INCORPORATED
REVERSE POLARITY PROTECTION	INCORPORATED
OUTPUT FUNCTION	2-WIRE AC/DC SELF-CONTAINED, NORMALLY OPEN
MAX. SWITCHING FREQUENCY	≤ 0.5 kHz
HOUSING MATERIAL	SEE NOTES
ACTIVE FACE	SEE NOTES
CONNECTION	7/8-16UN
SHOCK RESISTANCE	30 g, 11 ms
VIBRATION RESISTANCE	55 Hz, 1 mm AMPLITUDE (IN ALL 3 PLANES)
DEGREE OF PROTECTION	IP67
LED FUNCTION	GREEN = POWER ON GREEN FLASHING = SHORT CIRCUIT PROTECTION RED = SWITCHING STATUS



SOURCE DRAWING - FOR REFERENCE ONLY

NOTES:

- MATERIAL:
STAINLESS STEEL BARREL
STAINLESS STEEL CONNECTOR
STAINLESS STEEL LOCKNUTS
STAINLESS STEEL LOCKWASHERS
- GLASS-FILLED THERMOSET PLASTIC SENSING FACE.

RELATED DOCUMENTS 1. 2. 3. 4.	3RD ANGLE PROJECTION	THIS DRAWING IS CONFIDENTIAL AND THE PROPERTY OF TURCK INC. USE OF THIS DOCUMENT WITHOUT WRITTEN PERMISSION IS PROHIBITED.	3000 CAMPUS DRIVE MINNEAPOLIS, MN 55441 1-800-544-7769 (763) 553-7300 (763) 553-0708 fax www.turck.us	
			DRFT RDS DATE 05/01/08	DESCRIPTION B18-EG18H-ADZ30X2-B1331
MATERIAL	ALL DIMENSIONS DISPLAYED ON THIS DRAWING ARE FOR REFERENCE ONLY	APVD	SCALE 1=1.0	REV G
FINISH	CONTACT TURCK FOR MORE INFORMATION	UNIT OF MEASUREMENT INCH [MILLIMETER]		IDENTIFICATION NO. 4616189
G UPDATE LED SPECS	NF 05/05/20 75841	DO NOT SCALE THIS DRAWING		FILE: 4616189 SHEET 1 OF 1
REV DESCRIPTION	BY DATE ECO NO.			