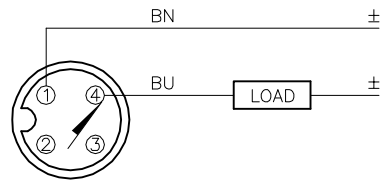


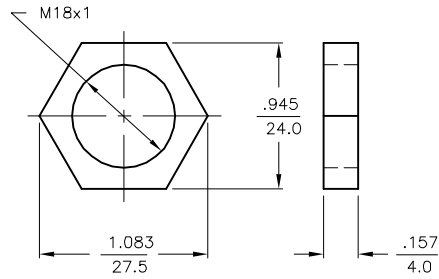
WIRING DIAGRAM



OUTPUT: AD4X

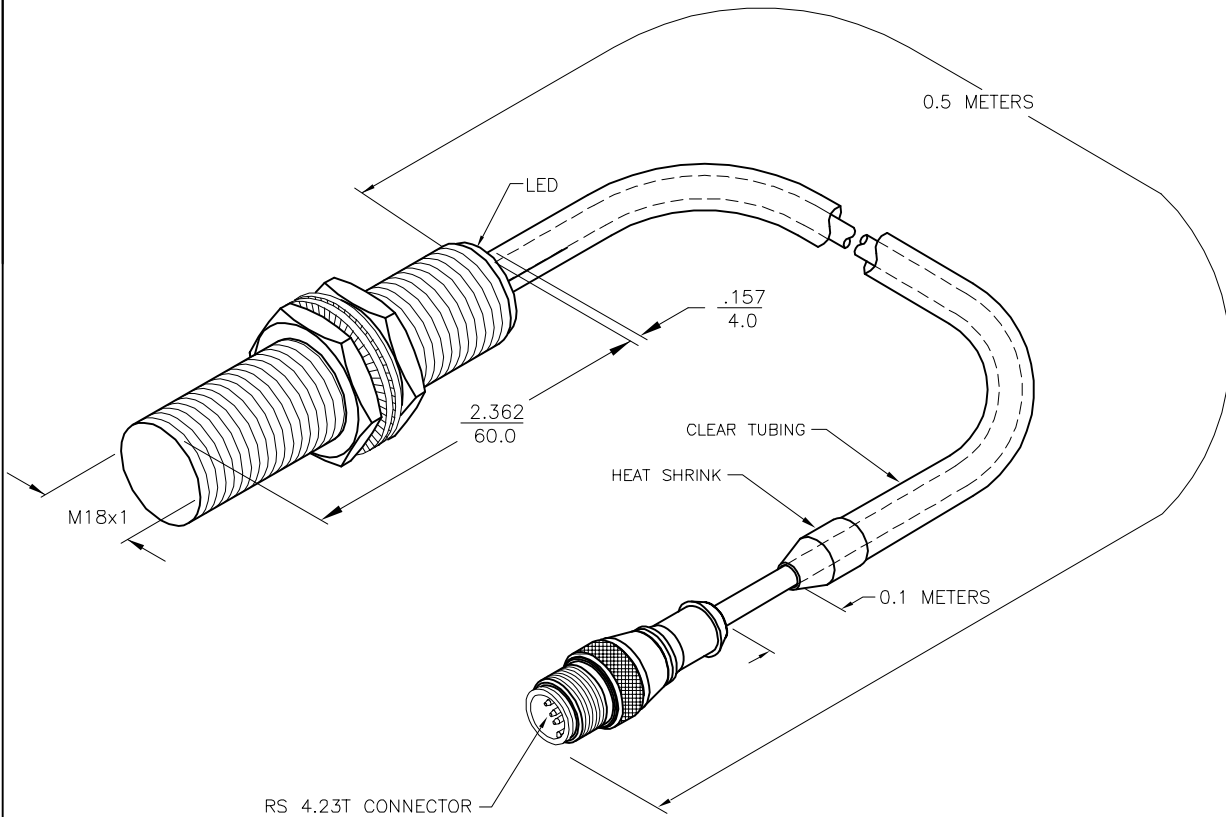
SHORT-CIRCUIT AND OVERLOAD PROTECTED

LOCKNUT LN-MT18



SPECIFICATIONS

| | |
|------------------------------|---|
| RATED OPERATING DISTANCE | 7 mm = 0.276" |
| MOUNTING MODE | FLUSH |
| TEMPERATURE DRIFT | ≤ ±10% |
| HYSTERESIS | 1-15% |
| MIN. REPEAT ACCURACY | ≤ 2% |
| OPERATING TEMPERATURE | -25°C to +70°C (-13°F to +158°F) |
| RATED OPERATIONAL VOLTAGE | 10-65 VDC |
| RESIDUAL RIPPLE | ≤ ±10% |
| DC RATED OPERATIONAL CURRENT | ≤ 100 mA |
| RESIDUAL CURRENT | ≤ 0.6 mA |
| RATED INSULATION VOLTAGE | ≤ 0.5 kV |
| SHORT-CIRCUIT PROTECTED | YES |
| MAX. VOLTAGE DROP | ≤ 5 V |
| OUTPUT FUNCTION | 2-WIRE, NORMALLY OPEN, 2-WIRE |
| SMALLEST OPERATING CURRENT | ≥ 3.0 mA |
| MAX. SWITCHING FREQUENCY | ≤ 1.0 kHz |
| HOUSING MATERIAL | BRASS/CHROME (PTFE-COATED) |
| ACTIVE FACE MATERIAL | STONEFACE |
| CABLE | ∅5.2, PVC |
| SHOCK | 30 g, 11 ms |
| VIBRATION | 55 Hz, 1 mm AMPLITUDE (IN ALL 3 PLANES) |
| DEGREE OF PROTECTION | IP67 |
| SWITCHING STATUS INDICATION | LED: YELLOW |



NOTES:

1. "/S1732" DESIGNATES SENSOR WITH SILICONE TUBING OVERTOP THE ACTUAL CABLE JACKET. FOR CABLES WITH CONNECTOR MOLD-ON A MINIMUM OF 0.5M OVERALL CABLE LENGTH REQUIRED FOR MANUFACTURING PURPOSES. ALSO, TUBING MUST BE A MINIMUM OF 150MM SHORTER THAN CABLE LENGTH. HEAT SHRINK WILL BE USED TO SEAL CABLE AT CONNECTOR END.

SOURCE DRAWING - FOR REFERENCE ONLY

| | | | | | | | |
|-------------------|--|---|--|--|--|--|--|
| RELATED DOCUMENTS | | 3RD ANGLE PROJECTION | | THIS DRAWING IS CONFIDENTIAL AND THE PROPERTY OF TURCK INC. USE OF THIS DOCUMENT WITHOUT WRITTEN PERMISSION IS PROHIBITED. | | 3000 CAMPUS DRIVE MINNEAPOLIS, MN 55441 1-800-544-7769 (763) 553-7300 (763) 553-0708 fax www.turck.us | |
| 1. | | | | DRFT RDS | | DATE 03/20/12 | |
| 2. | | | | APVD J.M. | | SCALE 1=1.3 | |
| 3. | | ALL DIMENSIONS DISPLAYED ON THIS DRAWING ARE FOR REFERENCE ONLY | | UNIT OF MEASUREMENT | | DESCRIPTION | |
| 4. | | | | INCH [MILLIMETER] | | BI7-GT18H-AD4X-0.5M-RS4.23T/S1732 | |
| MATERIAL | | SEE SPECS | | CONTACT TURCK FOR MORE INFORMATION | | IDENTIFICATION NO. | |
| FINISH | | SEE SPECS | | DO NOT SCALE THIS DRAWING | | 44145921 | |
| E | | AS | | 11/15/23 | | 79527 | |
| REV | | DESCRIPTION | | BY | | DATE | |
| | | | | | | ECO NO. | |
| | | | | | | FILE: 44145921 | |
| | | | | | | SHEET 1 OF 1 | |