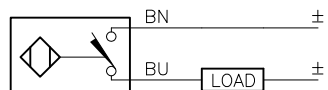


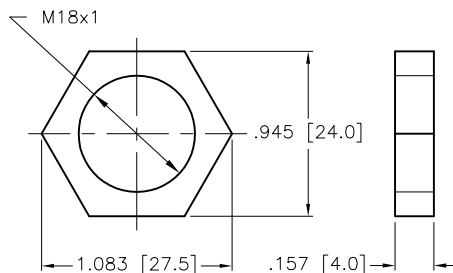
WIRING DIAGRAM



OUTPUT: AD4X

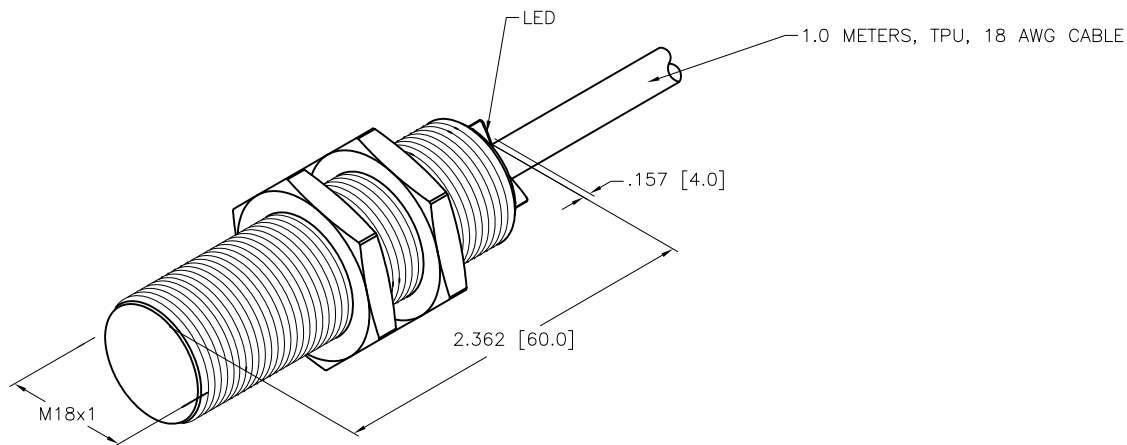
SHORT-CIRCUIT AND OVERLOAD PROTECTED

LOCKNUT LN-SS18



SPECIFICATIONS

RATED OPERATING DISTANCE	7mm [.276"]
MOUNTING MODE	FLUSH
TEMPERATURE DRIFT	±10%
HYSTERESIS	1-15%
MIN. REPEAT ACCURACY	≤ 2%
OPERATING TEMPERATURE	-25°C to +70°C (-13°F to +158°F)
RATED OPERATIONAL VOLTAGE	10-65 VDC
RESIDUAL RIPPLE	≤ 10%
DC RATED OPERATIONAL CURRENT	≤ 100 mA
RESIDUAL CURRENT	≤ 0.6 mA
RATED INSULATION VOLTAGE	≤ 0.5 kV
SHORT-CIRCUIT PROTECTION	YES
MAX. VOLTAGE DROP	≤ 5.0 V
OUTPUT FUNCTION	2-WIRE, NORMALLY OPEN, 2-WIRE
SMALLEST OPERATING CURRENT	≥ 3.0 mA
MAX. SWITCHING FREQUENCY	≤ 1.0 kHz
HOUSING MATERIAL	STAINLESS STEEL
ACTIVE FACE MATERIAL	PLASTIC, PA12-GF30
END CAP MATERIAL	PLASTIC, EPTR
CABLE	ø5.2, LiYY, TPU, 18 AWG, BLACK
VIBRATION RESISTANCE	55 Hz (IN ALL 3 PLANES)
SHOCK RESISTANCE	30 g, 11 ms
DEGREE OF PROTECTION	IP 67
SWITCHING STATUS INDICATION	LED: YELLOW



NOTES:

1. "/CS14932" 18 AWG CABLE USED, 60mm, FULLY THREADED BARREL.

SOURCE DRAWING - FOR REFERENCE ONLY

RELATED DOCUMENTS		3RD ANGLE PROJECTION		THIS DRAWING IS CONFIDENTIAL AND THE PROPERTY OF TURCK INC. USE OF THIS DOCUMENT WITHOUT WRITTEN PERMISSION IS PROHIBITED.		<p>3000 CAMPUS DRIVE MINNEAPOLIS, MN 55441 1-800-544-7769 (763) 553-7300 (763) 553-0708 fax www.turck.us</p>	
1. 2. 3. 4.				DRFT NF DATE 02/17/15		DESCRIPTION BI7-EG18-AD4X/CS14932 1M	
MATERIAL SEE SPECIFICATIONS		ALL DIMENSIONS DISPLAYED ON THIS DRAWING ARE FOR REFERENCE ONLY		APVD A.F. SCALE 1=1.0		IDENTIFICATION NO. 44145451	
FINISH SEE SPECIFICATIONS		CONTACT TURCK FOR MORE INFORMATION		UNIT OF MEASUREMENT INCH [MILLIMETER]		REV B	
B UPDATE ID NUMBER PER HARMONIZATION PROJECT		CBM 12/20/17		DO NOT SCALE THIS DRAWING		FILE: 44145451	
REV DESCRIPTION		BY DATE ECO NO.				SHEET 1 OF 1	