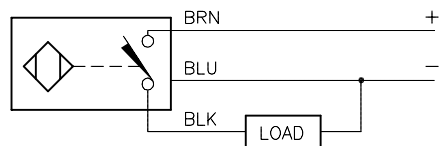


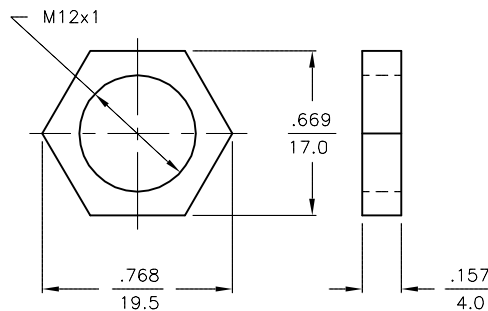
WIRING DIAGRAM



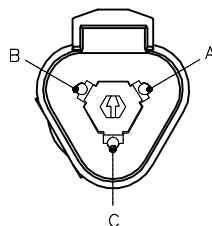
OUTPUT: AP6X

SHORT-CIRCUIT AND OVERLOAD PROTECTED

LOCKNUT SS-M12



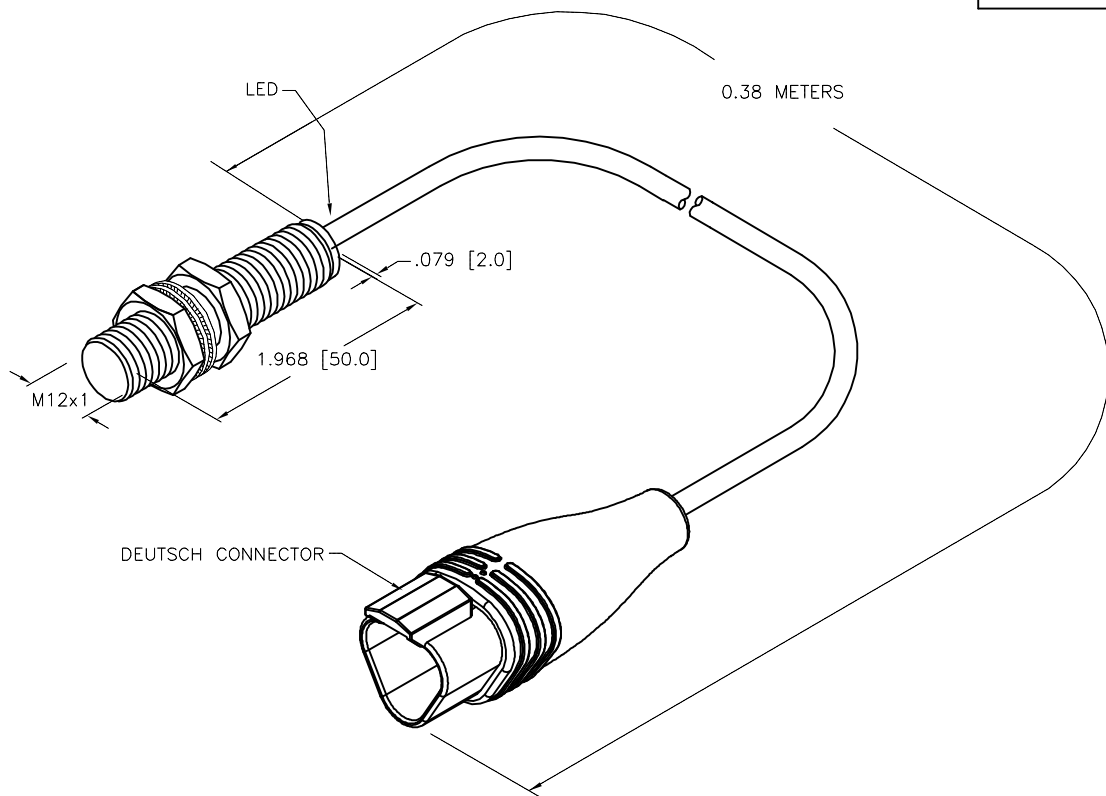
MALE END VIEW



A = BROWN  
B = BLACK  
C = BLUE

SPECIFICATIONS

RATED OPERATING DISTANCE	6mm = .236"
MOUNTING MODE	FLUSH
MIN. REPEAT ACCURACY	≤ 5%
STATIC PRESSURE	≤ 80 BAR
TEMPERATURE DRIFT	≤ ±10%
HYSTERESIS	15%
OPERATING TEMPERATURE	-25°C to +70°C (-13°F to +158°F)
RATED OPERATIONAL VOLTAGE	10-30 VDC
RESIDUAL RIPPLE	≤ 20%
DC RATED OPERATIONAL CURRENT	≤ 200 mA
NO LOAD CURRENT	≤ 10 mA
RESIDUAL CURRENT	≤ 0.1 mA
RATED INSULATION VOLTAGE	≤ 0.5 kV
SHORT-CIRCUIT PROTECTION	YES
MAX. VOLTAGE DROP	≤ 2.0 V
WIRE BREAKAGE PROTECTION	INCORPORATED
REVERSE POLARITY PROTECTION	INCORPORATED
OUTPUT FUNCTION	3-WIRE, NORMALLY OPEN, PNP
MAX. SWITCHING FREQUENCY	≤ 0.6 kHz
HOUSING MATERIAL	METAL, V2A (1.4305)
ADMISSIBLE PRESSURE ON FRONT CAP	≤ 80 BAR
CABLE	3 x 0.34mm <sup>2</sup>
VIBRATION RESISTANCE	55 Hz (IN ALL 3 PLANES)
SHOCK RESISTANCE	30 g, 11 ms
DEGREE OF PROTECTION	IP68/IP69K
SWITCHING STATUS INDICATION	LED, YELLOW



NOTES:

DEUTSCH PART NUMBERS:

CONNECTOR: DT04-3P-CE02  
LOCKING WEDGE: W3P  
PINS: 0460-202-16141 (3x)

PINOUT:

A = BROWN  
B = BLACK  
C = BLUE

SOURCE DRAWING - FOR REFERENCE ONLY

RELATED DOCUMENTS 1. 2. 3. 4.	3RD ANGLE PROJECTION 	THIS DRAWING IS CONFIDENTIAL AND THE PROPERTY OF TURCK INC. USE OF THIS DOCUMENT WITHOUT WRITTEN PERMISSION IS PROHIBITED.		3000 CAMPUS DRIVE MINNEAPOLIS, MN 55441 1-800-544-7769 (763) 553-7300 (763) 553-0708 fax www.turck.us	
	MATERIAL	DRFT RDS	DATE 04/06/17	DESCRIPTION BI6-EG12FE-AP6X-0.38-DT04-3PM3.21	
FINISH	ALL DIMENSIONS DISPLAYED ON THIS DRAWING ARE FOR REFERENCE ONLY	APVD A.F.	SCALE 1=1.3	IDENTIFICATION NO. 46147204	
CONTACT TURCK FOR MORE INFORMATION		UNIT OF MEASUREMENT <b>INCH [ MILLIMETER ]</b>		REV A	
DO NOT SCALE THIS DRAWING		FILE: 46147204		SHEET 1 OF 1	

A	DRAWING RELEASE	RDS	05/03/17	
REV	DESCRIPTION	BY	DATE	ECO NO.