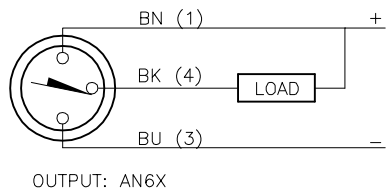
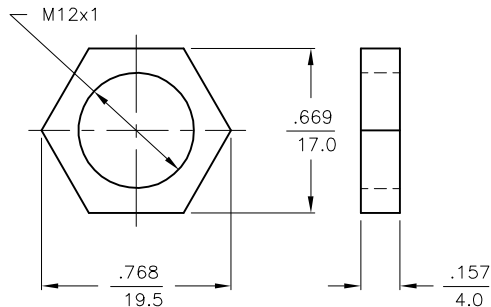


WIRING DIAGRAM

LOCKNUT LN-SS-M12

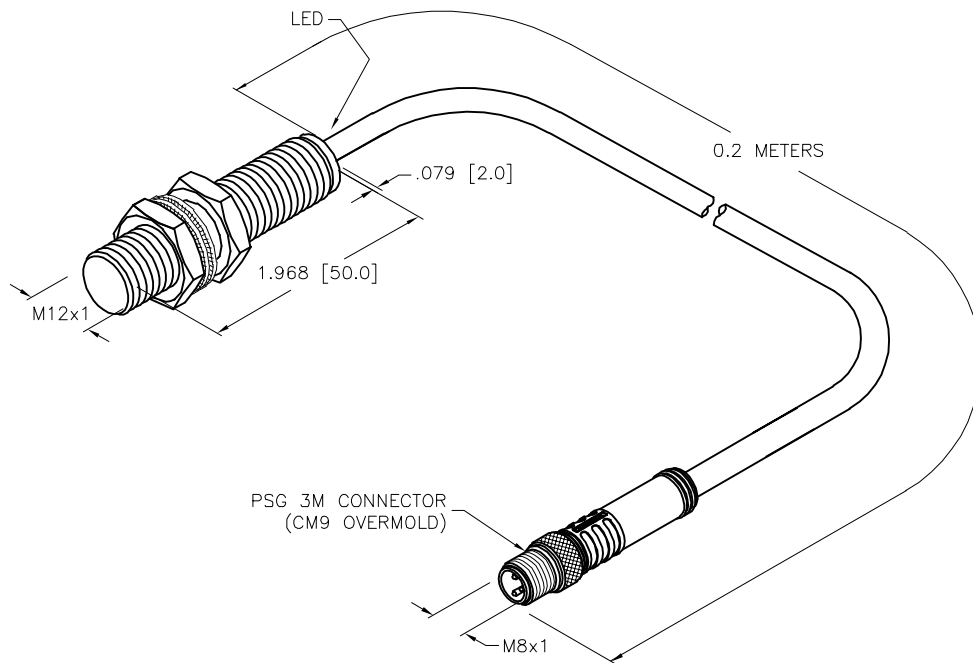


SHORT-CIRCUIT AND OVERLOAD PROTECTED



SPECIFICATIONS

RATED OPERATING DISTANCE	6mm =.236"
MOUNTING MODE	FLUSH
MIN. REPEAT ACCURACY	≤5%
TEMPERATURE DRIFT	≤±10%
HYSTERESIS	15%
OPERATING TEMPERATURE	-25°C to +70°C (-13°F to +158°F)
RATED OPERATIONAL VOLTAGE	10-30 VDC
RESIDUAL RIPPLE	≤20%
RATED OPERATIONAL CURRENT (DC)	≤200 mA
NO-LOAD CURRENT	≤10 mA
RESIDUAL CURRENT	≤0.1 mA
RATED INSULATION VOLTAGE	≤0.5 kV
SHORT-CIRCUIT PROTECTED	YES
MAX. VOLTAGE DROP	≤2.0 V
REVERSE POLARITY PROTECTION	INCORPORATED
WIRE-BREAK PROTECTION	INCORPORATED
OUTPUT FUNCTION	NORMALLY OPEN, 3-WIRE, NPN
MAX. SWITCHING FREQUENCY	≤0.6 kHz
HOUSING MATERIAL	METAL, V2A (1.4305)
ACTIVE FACE MATERIAL	METAL, V2A (1.4305)
CABLE	ø5.0, PVC
SHOCK RESISTANCE	30 g (11 ms)
VIBRATION RESISTANCE	55 Hz (1 mm)
DEGREE OF PROTECTION	IP68/IP69K
SWITCHING STATUS INDICATION	LED: YELLOW



SOURCE DRAWING - FOR REFERENCE ONLY

RELATED DOCUMENTS 1. 2. 3. 4.	3RD ANGLE PROJECTION 	THIS DRAWING IS CONFIDENTIAL AND THE PROPERTY OF TURCK INC. USE OF THIS DOCUMENT WITHOUT WRITTEN PERMISSION IS PROHIBITED.		3000 CAMPUS DRIVE MINNEAPOLIS, MN 55441 1-800-544-7769 (763) 553-7300 (763) 553-0708 fax www.turck.us	
	MATERIAL  SEE SPECIFICATIONS	ALL DIMENSIONS DISPLAYED ON THIS DRAWING ARE FOR REFERENCE ONLY  CONTACT TURCK FOR MORE INFORMATION	DRFT RDS DATE 06/17/15	DESCRIPTION BI6-EG12FE-AN6X-0.2-PSG3M	
FINISH  SEE SPECIFICATIONS	APVD A.F. SCALE 1=1.3		UNIT OF MEASUREMENT <b>INCH [ MILLIMETER ]</b>		IDENTIFICATION NO. 46147213
D UPDATED PICO MOD BODY TO CM9 OVERMOLD ER 05/25/22 500000005371	REV DESCRIPTION BY DATE ECO NO.	DO NOT SCALE THIS DRAWING		FILE: 46147213	SHEET 1 OF 1

D	UPDATED PICO MOD BODY TO CM9 OVERMOLD	ER	05/25/22	500000005371
REV	DESCRIPTION	BY	DATE	ECO NO.