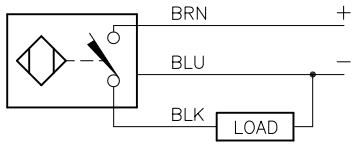


WIRING DIAGRAM

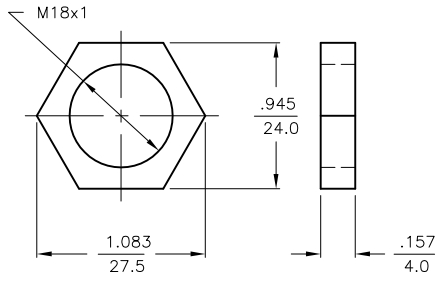
LOCKNUT LN-SS18

SPECIFICATIONS

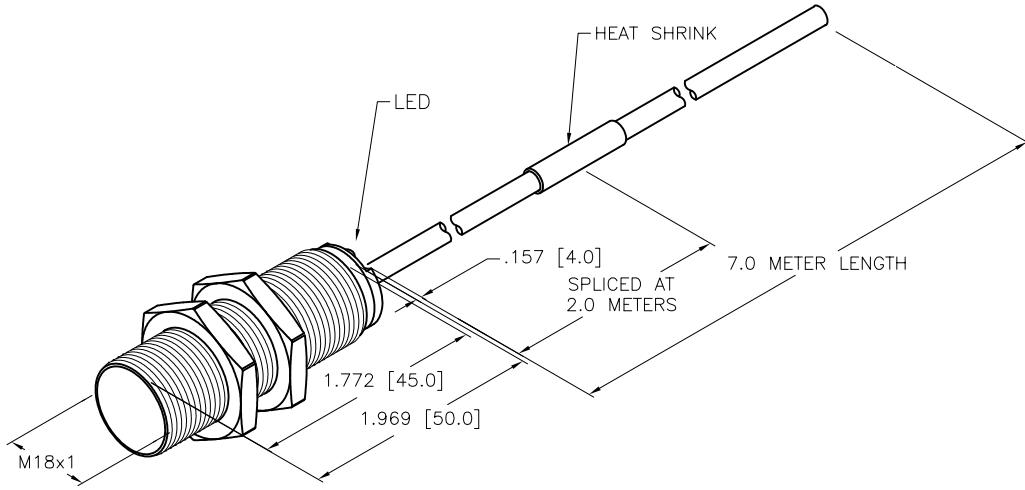


OUTPUT: AP6X

SHORT-CIRCUIT AND OVERLOAD PROTECTED



RATED OPERATING DISTANCE	5mm [.197]
MOUNTING MODE	FLUSH
MIN. REPEAT ACCURACY	≤ 2%
TEMPERATURE DRIFT	≤ ±10% ≤ ±15%, ≤ -25°C v ≥ +70°C
HYSTERESIS	3-15%
OPERATING TEMPERATURE	-30°C to +85°C (-22°F to +185°F)
RATED OPERATIONAL VOLTAGE	10-30 VDC
RESIDUAL RIPPLE	≤ 10%
DC RATED OPERATIONAL CURRENT	≤ 200 mA
NO-LOAD CURRENT	≤ 15 mA
RESIDUAL CURRENT	≤ 0.1 mA
RATED INSULATION VOLTAGE	≤ 0.5 kV
SHORT-CIRCUIT PROTECTION	YES
MAX. VOLTAGE DROP	≤ 1.8 V
WIRE BREAKAGE PROTECTION	INCORPORATED
REVERSE POLARITY PROTECTION	INCORPORATED
OUTPUT FUNCTION	3-WIRE, NORMALLY OPEN, PNP
MAX. SWITCHING FREQUENCY	≤ 1.5 kHz
HOUSING MATERIAL	METAL, A2 1.4301 (AISI 304)
ACTIVE FACE	PLASTIC, LCP-GF30
END CAP	PLASTIC, EPTR
CABLE	∅5.2, PVC
VIBRATION RESISTANCE	55 Hz (IN ALL 3 PLANES)
SHOCK RESISTANCE	30 g, 11 ms
DEGREE OF PROTECTION	IP 68
SWITCHING STATUS INDICATION	LED, YELLOW



SOURCE DRAWING - FOR REFERENCE ONLY

RELATED DOCUMENTS		3RD ANGLE PROJECTION		THIS DRAWING IS CONFIDENTIAL AND THE PROPERTY OF TURCK INC. USE OF THIS DOCUMENT WITHOUT WRITTEN PERMISSION IS PROHIBITED.		 3000 CAMPUS DRIVE MINNEAPOLIS, MN 55441 1-800-544-7769 (763) 553-7300 (763) 553-0708 fax www.turck.us	
1.			ALL DIMENSIONS DISPLAYED ON THIS DRAWING ARE FOR REFERENCE ONLY	DRFT	RDS	DATE	01/17/13
2.				APVD	A.F.	SCALE	1=1.3
3.		MATERIAL		UNIT OF MEASUREMENT		DESCRIPTION	
4.		SEE NOTE		INCH [MILLIMETER]		BI5U-EM18-AP6X 7M SPLICED	
FINISH		SEE NOTE		CONTACT TURCK FOR MORE INFORMATION		IDENTIFICATION NO.	
						1635390	
						REV	
						B	
B	UPDATE ID NUMBER PER HARMONIZATION PROJECT	CBM	11/06/17	DO NOT SCALE THIS DRAWING		FILE: 1635390	
REV	DESCRIPTION	BY	DATE	ECO NO.		SHEET 1 OF 1	