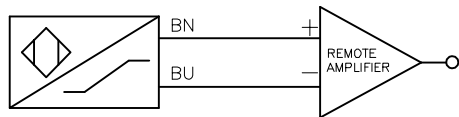
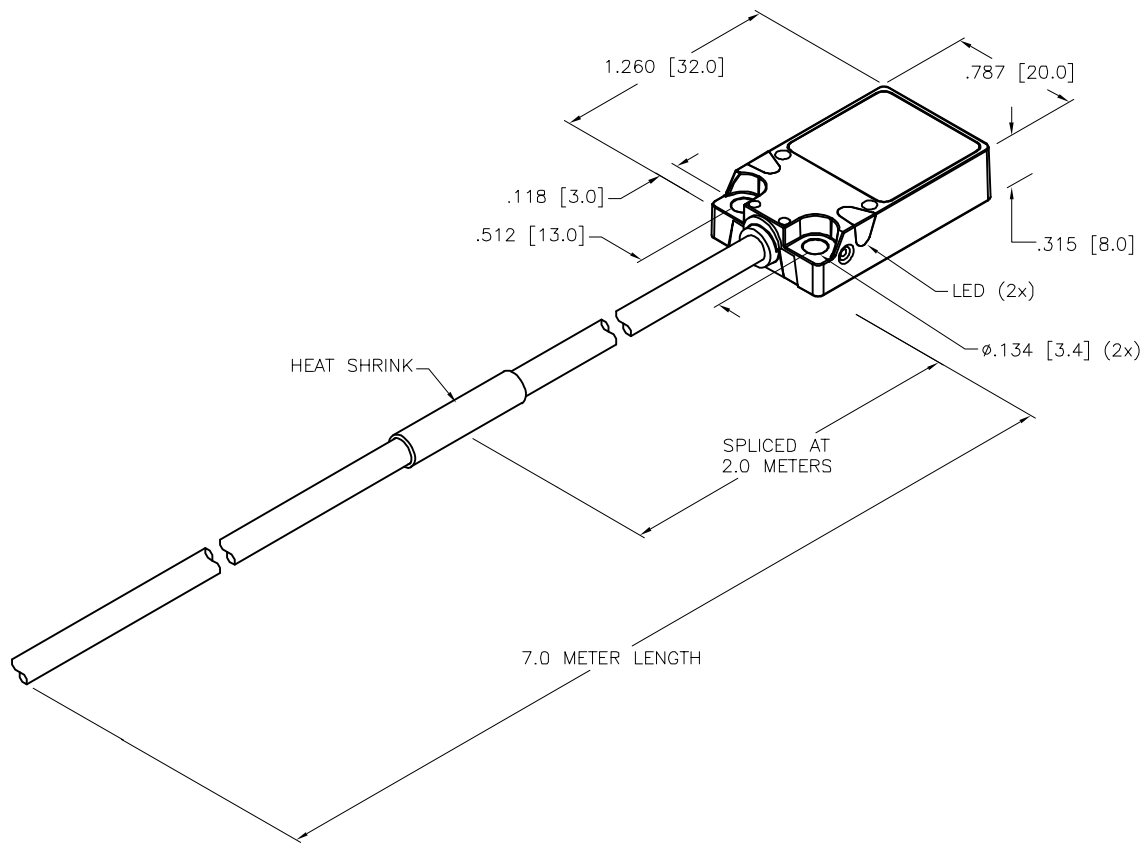


WIRING DIAGRAM



OUTPUT: Y1X



SPECIFICATIONS

RATED OPERATING DISTANCE	5mm = .197" (NOMINAL)
MOUNTING MODE	FLUSH
TEMPERATURE DRIFT	≤ ± 10%
HYSTERESIS	1-10%
MIN. REPEAT ACCURACY	≤ 2%
OPERATING TEMPERATURE	-25°C to +70°C (-13°F to +158°F)
OUTPUT FUNCTION	2-WIRE, NAMUR
MAX. SWITCHING FREQUENCY	≤ 1.0 kHz
VOLTAGE	8.2 VDC NOMINAL
NON-ACTUATED CURRENT CONSUMPTION	≥ 2.1 mA
ACTUATED CURRENT CONSUMPTION	≤ 1.2 mA
APPROVAL ACCORDING TO:	KEMA 02 ATEX 1090X
INTERNAL INDUCTANCE (L _i)/CAPACITANCE (C _i)	150 nF/150 μH
MARKING ON THE DEVICE	⊕ II 2 G Ex ia IIC T6/II D EX ia D 20 T95 °C (max. U _i = 20 V, I _i = 60 mA, P _i = 130 mW)
HOUSING MATERIAL	METAL, ZAMAK, NICKEL-PLATED
ACTIVE FACE MATERIAL	PLASTIC, PP, YELLOW
CABLE	ø3mm, Lif9YYW, BLUE PVC
VIBRATION RESISTANCE	<55 Hz, <1 mm AMPLITUDE (IN ALL 3 PLANES)
SHOCK RESISTANCE	<30 g, <11 ms
DEGREE OF PROTECTION	IP68
SWITCHING STATUS INDICATION	LED: YELLOW

SOURCE DRAWING - FOR REFERENCE ONLY

RELATED DOCUMENTS		3RD ANGLE PROJECTION		THIS DRAWING IS CONFIDENTIAL AND THE PROPERTY OF TURCK INC. USE OF THIS DOCUMENT WITHOUT WRITTEN PERMISSION IS PROHIBITED.				3000 CAMPUS DRIVE MINNEAPOLIS, MN 55441 1-800-544-7769 (763) 553-7300 (763) 553-0708 fax www.turck.us	
1. 2. 3. 4.				DRFT RDS DATE 02/25/09		DESCRIPTION		BI5-Q08-Y1X 7M SPLICED	
MATERIAL DIE CAST ZINC		ALL DIMENSIONS DISPLAYED ON THIS DRAWING ARE FOR REFERENCE ONLY		APVD SCALE 1=1.0		UNIT OF MEASUREMENT		IDENTIFICATION NO.	
FINISH		CONTACT TURCK FOR MORE INFORMATION		INCH [MILLIMETER]		4054091		REV D	
DO NOT SCALE THIS DRAWING		FILE: 4054091		SHEET 1 OF 1					

D	UPDATE SENSOR BODY AND SPECS	RDS	03/09/21	76553
REV	DESCRIPTION	BY	DATE	ECO NO.