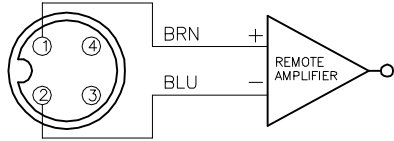


WIRING DIAGRAM

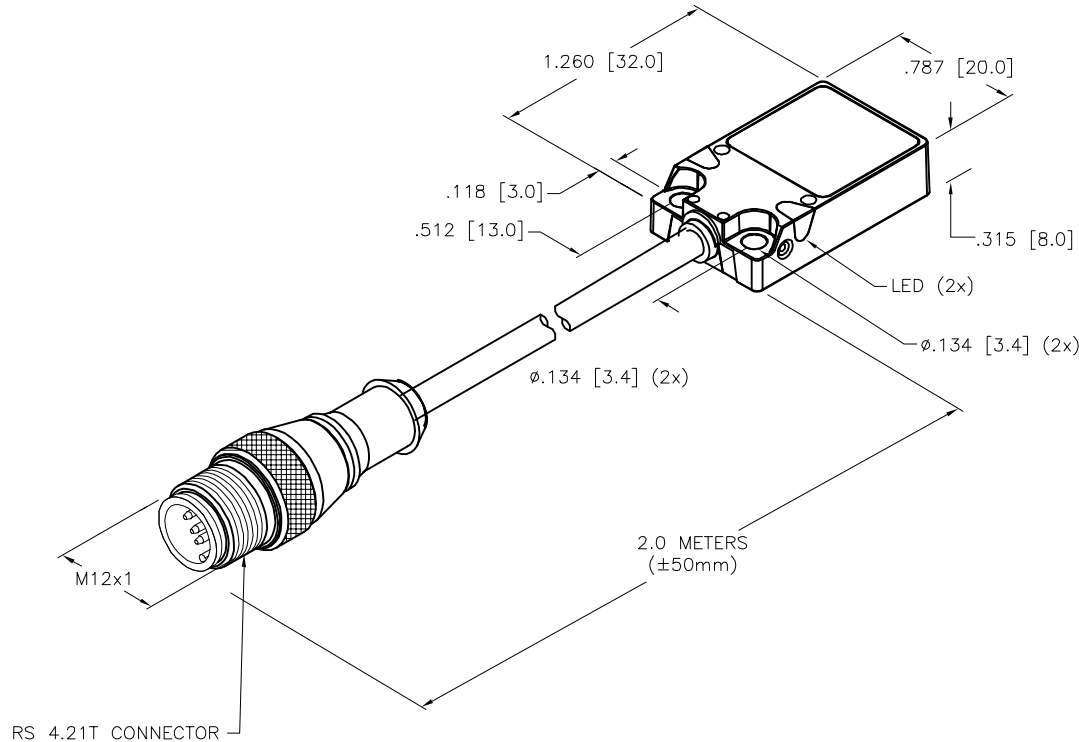


OUTPUT: Y1X

SHORT-CIRCUIT AND OVERLOAD PROTECTED

SPECIFICATIONS

RATED OPERATING DISTANCE	5mm = .197" (NOMINAL)
MOUNTING MODE	FLUSH
TEMPERATURE DRIFT	≤ ± 10%
HYSTERESIS	1-10%
MIN. REPEAT ACCURACY	≤ 2%
OPERATING TEMPERATURE	-25°C to +70°C (-13°F to +158°F)
OUTPUT FUNCTION	2-WIRE, NAMUR
MAX. SWITCHING FREQUENCY	≤ 1.0 kHz
VOLTAGE	8.2 VDC NOMINAL
NON-ACTUATED CURRENT CONSUMPTION	≥ 2.1 mA
ACTUATED CURRENT CONSUMPTION	≤ 1.2 mA
APPROVAL ACCORDING TO:	KEMA 02 ATEX 1090X
INTERNAL INDUCTANCE (L _i)/CAPACITANCE (C _i)	150 nF/150 μH
MARKING ON THE DEVICE	⊕ II 2 G Ex ia IIC T6/II D EX ia D 20 T95 °C (max. U _i = 20 V, I _i = 60 mA, P _i = 130 mW)
HOUSING MATERIAL	METAL, ZAMAK, NICKEL-PLATED
ACTIVE FACE MATERIAL	PLASTIC, PP, YELLOW
CABLE	∅3.0mm, Lif9YYW, BLUE, PVC
VIBRATION RESISTANCE	<55 Hz, <1 mm AMPLITUDE (IN ALL 3 PLANES)
SHOCK RESISTANCE	<30 g, <11 ms
DEGREE OF PROTECTION	IP68
SWITCHING STATUS INDICATION	LED: YELLOW



SOURCE DRAWING - FOR REFERENCE ONLY

RELATED DOCUMENTS		3RD ANGLE PROJECTION		THIS DRAWING IS CONFIDENTIAL AND THE PROPERTY OF TURCK INC. USE OF THIS DOCUMENT WITHOUT WRITTEN PERMISSION IS PROHIBITED.		3000 CAMPUS DRIVE MINNEAPOLIS, MN 55441 1-800-544-7769 (763) 553-7300 (763) 553-0708 fax www.turck.us	
1. 2. 3. 4.				DRFT RDS DATE 12/07/12 APVD J.M. SCALE 1=1.0		DESCRIPTION BI5-Q08-Y1X-2-RS4.21T	
MATERIAL SEE SPECS		ALL DIMENSIONS DISPLAYED ON THIS DRAWING ARE FOR REFERENCE ONLY		UNIT OF MEASUREMENT INCH [MILLIMETER]		IDENTIFICATION NO. 40540900	
FINISH		CONTACT TURCK FOR MORE INFORMATION		DO NOT SCALE THIS DRAWING		REV D	
D	UPDATE SENSOR BODY AND SPECS	RDS	03/09/21	76553		FILE: 40540900	
REV	DESCRIPTION	BY	DATE	ECO NO.		SHEET 1 OF 1	