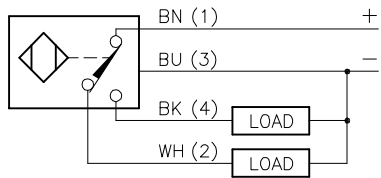
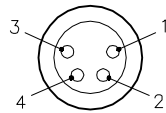


WIRING DIAGRAM



OUTPUT: VP6X2
SHORT-CIRCUIT AND OVERLOAD PROTECTED

MALE END VIEW

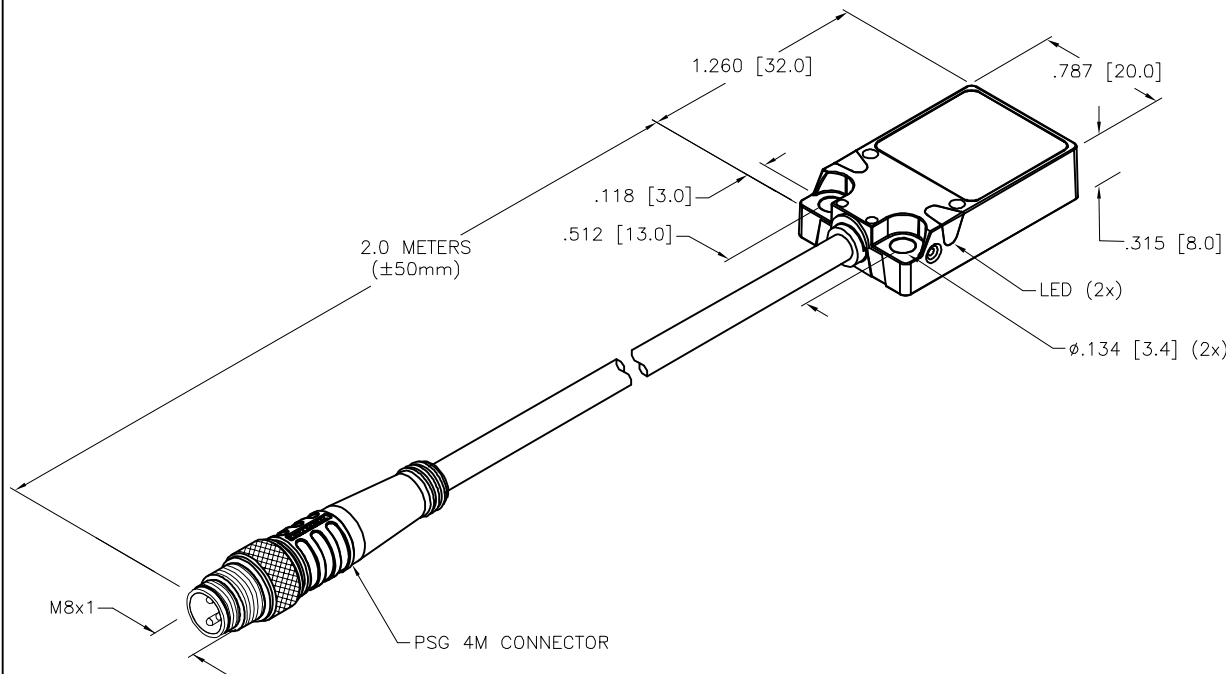


1 = BROWN
2 = WHITE
3 = BLUE
4 = BLACK



SPECIFICATIONS

| | |
|------------------------------|---|
| RATED OPERATING DISTANCE | 5mm = .197" |
| MOUNTING MODE | FLUSH |
| TEMPERATURE DRIFT | ≤±10% |
| HYSTERESIS | 3-15% |
| MIN. REPEAT ACCURACY | ≤2% |
| OPERATING TEMPERATURE | -25°C to +70°C (-13°F to +158°F) |
| RATED OPERATIONAL VOLTAGE | 10-30 VDC |
| RESIDUAL RIPPLE | ≤10% |
| DC RATED OPERATIONAL CURRENT | ≤200 mA |
| NO-LOAD CURRENT | ≤15 mA |
| RESIDUAL CURRENT | ≤0.1 mA |
| RATED INSULATION VOLTAGE | ≤0.5 kV |
| SHORT-CIRCUIT PROTECTED | YES |
| MAX. VOLTAGE DROP | ≤1.8 V |
| REVERSE POLARITY PROTECTION | INCORPORATED |
| WIRE-BREAK PROTECTION | INCORPORATED |
| OUTPUT FUNCTION | 4-WIRE, CHANGE-OVER, PNP |
| MAX. SWITCHING FREQUENCY | ≤0.5 kHz |
| HOUSING MATERIAL | METAL, ZAMAK, NICKEL-PLATED |
| ACTIVE FACE | PLASTIC, PP, YELLOW |
| CABLE | ∅3mm, LifY-11Y, TPU |
| SHOCK | 30 g, 11 ms |
| VIBRATION | 55 Hz, 1 mm AMPLITUDE (IN ALL 3 PLANES) |
| DEGREE OF PROTECTION | IP68 |
| OPERATING VOLTAGE DISPLAY | LED: GREEN |
| SWITCHING STATUS INDICATION | LED: YELLOW |



SOURCE DRAWING - FOR REFERENCE ONLY

| | | | | | | |
|---|------------------------------|--|--|---|--------------------------------------|--------------------------------|
| RELATED DOCUMENTS 1. 2. 3. 4. | 3RD ANGLE PROJECTION | THIS DRAWING IS CONFIDENTIAL AND THE PROPERTY OF TURCK INC. USE OF THIS DOCUMENT WITHOUT WRITTEN PERMISSION IS PROHIBITED. | 3000 CAMPUS DRIVE MINNEAPOLIS, MN 55441 1-800-544-7769 (763) 553-7300 (763) 553-0708 fax www.turck.us | | | |
| | MATERIAL | | DRFT RDS | DATE 04/02/14 | DESCRIPTION BI5-Q08-VP6X2-2-PSG4M | |
| | | | APVD K.H. | SCALE 1=1.0 | | |
| | FINISH | | ALL DIMENSIONS DISPLAYED ON THIS DRAWING ARE FOR REFERENCE ONLY | UNIT OF MEASUREMENT INCH [MILLIMETER] | | IDENTIFICATION NO. 16001000 |
| C | UPDATE SENSOR BODY AND SPECS | RDS | 03/09/21 | 76553 | REV C | |
| REV | DESCRIPTION | BY | DATE | ECO NO. | DO NOT SCALE THIS DRAWING | |
| | | | | | FILE: 16001000 | SHEET 1 OF 1 |