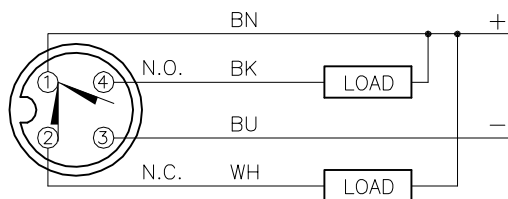


WIRING DIAGRAM

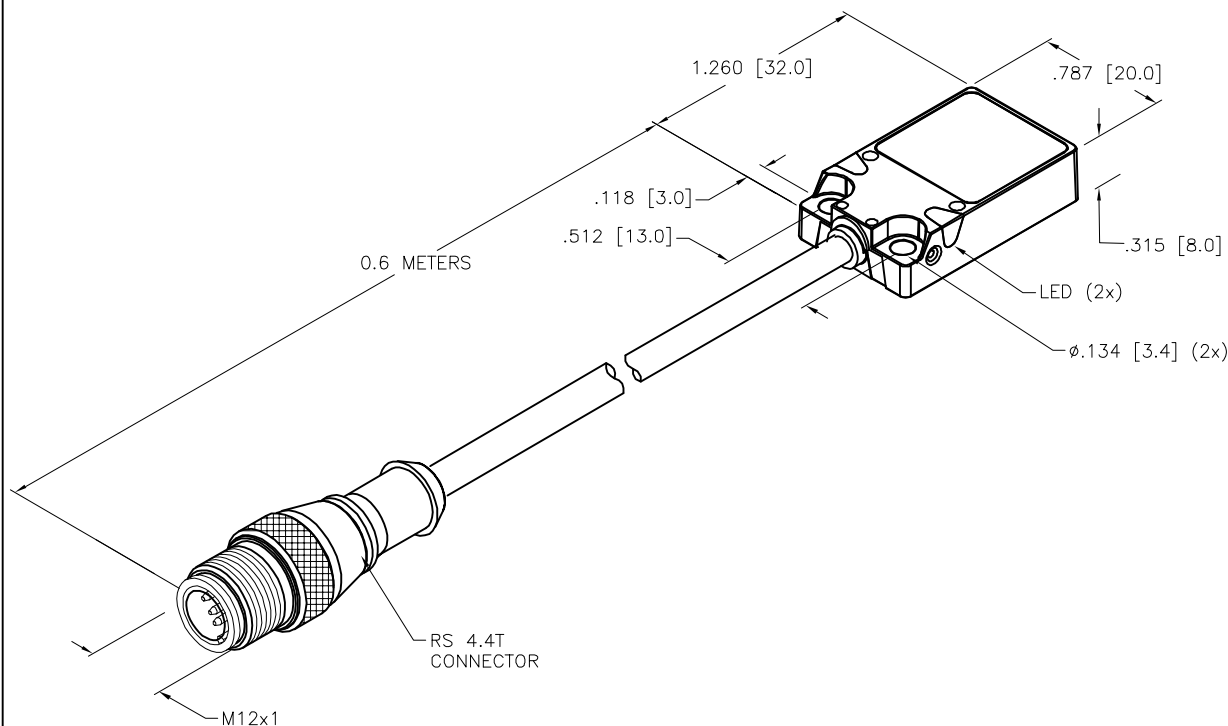


OUTPUT: VN6X2

SHORT-CIRCUIT AND OVERLOAD PROTECTED

SPECIFICATIONS

|                                 |   |
|---------------------------------|---|
| RATED OPERATING DISTANCE        | 5mm = .197" (NOMINAL)                   |
| MOUNTING MODE                   | FLUSH                                   |
| TEMPERATURE DRIFT               | ≤±10%                                   |
| HYSTERESIS (SWITCHING DISTANCE) | 3-15%                                   |
| MIN. REPEAT ACCURACY            | ≤2%                                     |
| OPERATING TEMPERATURE           | -25°C to +70°C (-13°F to +158°F)        |
| RATED OPERATIONAL VOLTAGE       | 10-30 VDC                               |
| MAX. RIPPLE                     | ≤10%                                    |
| DC RATED OPERATIONAL CURRENT    | ≤200 mA                                 |
| NO-LOAD CURRENT                 | ≤15 mA                                  |
| MAX. OFF-STATE CURRENT          | ≤0.1 mA                                 |
| RATED INSULATION VOLTAGE        | ≤0.5 kV                                 |
| SHORT-CIRCUIT PROTECTED         | YES                                     |
| MAX. VOLTAGE DROP               | ≤1.8 V                                  |
| REVERSE POLARITY PROTECTION     | INCORPORATED                            |
| WIRE-BREAK PROTECTION           | INCORPORATED                            |
| OUTPUT FUNCTION                 | 4-WIRE, CHANGE OVER, NPN                |
| MAX. SWITCHING FREQUENCY        | ≤0.5 kHz                                |
| HOUSING MATERIAL                | METAL, ZAMAK, NICKEL-PLATED             |
| ACTIVE FACE                     | PLASTIC, PP, YELLOW                     |
| CABLE                           | ø3mm, LifY-11Y, TPU                     |
| SHOCK                           | 30 g, 11 ms                             |
| VIBRATION                       | 55 Hz, 1 mm AMPLITUDE (IN ALL 3 PLANES) |
| DEGREE OF PROTECTION            | IP68                                    |
| OPERATING VOLTAGE DISPLAY       | LED: GREEN                              |
| SWITCHING STATUS INDICATION     | LED: YELLOW                             |



SOURCE DRAWING - FOR REFERENCE ONLY

|   |   |  |               |  |                           |
|---|---|--|---------------|--|---------------------------|
| RELATED DOCUMENTS<br>1.<br>2.<br>3.<br>4. | 3RD ANGLE PROJECTION<br>  | THIS DRAWING IS CONFIDENTIAL AND THE PROPERTY OF TURCK INC. USE OF THIS DOCUMENT WITHOUT WRITTEN PERMISSION IS PROHIBITED. |               | <b>TURCK</b><br>3000 CAMPUS DRIVE<br>MINNEAPOLIS, MN 55441<br>1-800-544-7769<br>(763) 553-7300<br>(763) 553-0708 fax<br>www.turck.us |                           |
|   | MATERIAL  | DRFT RDS   | DATE 01/28/10 | DESCRIPTION<br>BI5-Q08-VN6X2-0.6-RS4.4T  |                           |
| FINISH                                    | ALL DIMENSIONS DISPLAYED ON THIS DRAWING ARE FOR REFERENCE ONLY | APVD   | SCALE 1=1.0   | IDENTIFICATION NO.<br>1600295  |                           |
|   | CONTACT TURCK FOR MORE INFORMATION                              | UNIT OF MEASUREMENT<br><b>INCH [ MILLIMETER ]</b>  |               | REV<br>D   |                           |
| D   | UPDATE SENSOR BODY AND SPECS                                    | RDS  | 03/09/21      | 76553  |                           |
| REV                                       | DESCRIPTION   | BY   | DATE          | ECO NO.  | DO NOT SCALE THIS DRAWING |
|   |   |  |               |  | FILE: 1600295             |
|   |   |  |               |  | SHEET 1 OF 1              |