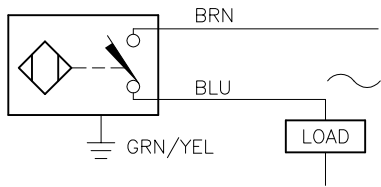


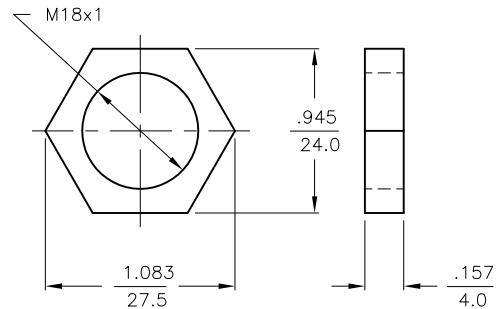
WIRING DIAGRAM



OUTPUT: AZ3X

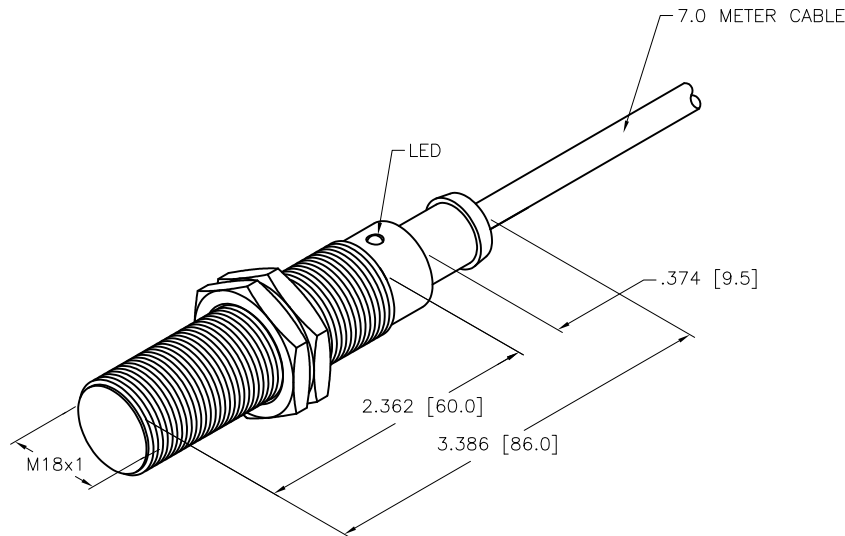
WARNING: NO SHORT-CIRCUIT PROTECTION

LOCKNUT LN-M18



SPECIFICATIONS

RATED OPERATING DISTANCE	5 mm = .197"
MOUNTING MODE	FLUSH
TEMPERATURE DRIFT	≤±10% ≤±20%, ≥ +70°C
HYSTERESIS	3-15%
MIN. REPEAT ACCURACY	≤2%
OPERATING TEMPERATURE	-25°C to +70°C (-13°F to +158°F)
RATED OPERATIONAL VOLTAGE	20-250 VAC/DC
RATED OPERATIONAL CURRENT	≤400 mA
LINE FREQUENCY	50-60 Hz
MAX. OFF-STATE CURRENT	≤1.7 mA
RATED INSULATION VOLTAGE	≤1.5 kV
SURGE CURRENT	≤8 A (≤10 ms MAX. 5 Hz)
MAX. VOLTAGE DROP	≤6 V
OUTPUT FUNCTION	2-WIRE, NORMALLY OPEN
MIN. OPERATIONAL CURRENT	≥3 mA
MAX. SWITCHING FREQUENCY	≤0.02 kHz
HOUSING MATERIAL	BRASS, CHROME PLATED
ACTIVE FACE	PLASTIC, PA12-GF30
CABLE	PVC
VIBRATION RESISTANCE	55 Hz (IN ALL 3 PLANES)
SHOCK RESISTANCE	30 g, 11 ms
DEGREE OF PROTECTION	IP 67
SWITCHING STATUS INDICATION	LED, YELLOW



SOURCE DRAWING - FOR REFERENCE ONLY

RELATED DOCUMENTS		3RD ANGLE PROJECTION		THIS DRAWING IS CONFIDENTIAL AND THE PROPERTY OF TURCK INC. USE OF THIS DOCUMENT WITHOUT WRITTEN PERMISSION IS PROHIBITED.		3000 CAMPUS DRIVE MINNEAPOLIS, MN 55441 1-800-544-7769 (763) 553-7300 (763) 553-0708 fax www.turck.us	
1.			DRFT RDS APVD J.M.	DATE 02/06/12	DESCRIPTION BI5-M18T-AZ3X 7M		
2.				SCALE 1=1.3			
3.		ALL DIMENSIONS DISPLAYED ON THIS DRAWING ARE FOR REFERENCE ONLY	UNIT OF MEASUREMENT INCH [MILLIMETER]		IDENTIFICATION NO. 4312097		REV B
4.			CONTACT TURCK FOR MORE INFORMATION		FILE: 4312097		SHEET 1 OF 1
MATERIAL		SEE NOTES		DO NOT SCALE THIS DRAWING			
FINISH		SEE NOTES					

B	UPDATE ID NUMBER PER HARMONIZATION PROJECT	CBM	11/06/17	
REV	DESCRIPTION	BY	DATE	ECO NO.