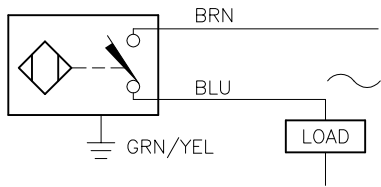


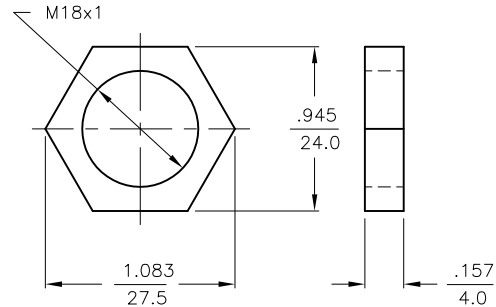
WIRING DIAGRAM



OUTPUT: AZ3X

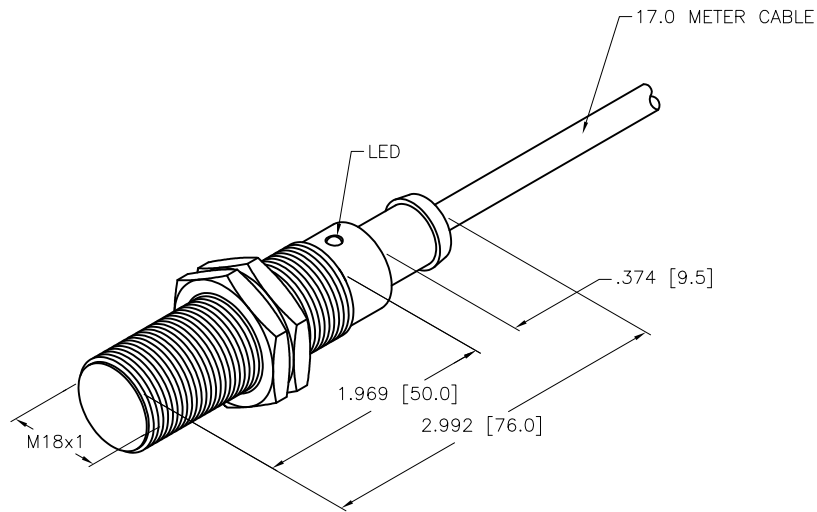
WARNING: NO SHORT-CIRCUIT PROTECTION

LOCKNUT LN-M18


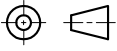


SPECIFICATIONS

|                             |                                  |
|-----------------------------|----------------------------------|
| RATED OPERATING DISTANCE    | 5 mm = .197"                     |
| MOUNTING MODE               | FLUSH                            |
| TEMPERATURE DRIFT           | ≤±10%<br>≤±20%, ≥ +70°C          |
| HYSTERESIS                  | 3-15%                            |
| MIN. REPEAT ACCURACY        | ≤2%                              |
| OPERATING TEMPERATURE       | -25°C to +70°C (-13°F to +158°F) |
| RATED OPERATIONAL VOLTAGE   | 20-250 VAC/DC                    |
| RATED OPERATIONAL CURRENT   | ≤400 mA                          |
| LINE FREQUENCY              | 50-60 Hz                         |
| MAX. OFF-STATE CURRENT      | ≤1.7 mA                          |
| RATED INSULATION VOLTAGE    | ≤1.5 kV                          |
| SURGE CURRENT               | ≤8 A (≤10 ms MAX. 5 Hz)          |
| MAX. VOLTAGE DROP           | ≤6 V                             |
| OUTPUT FUNCTION             | 2-WIRE, NORMALLY OPEN            |
| MIN. OPERATIONAL CURRENT    | ≥3 mA                            |
| MAX. SWITCHING FREQUENCY    | ≤0.02 kHz                        |
| HOUSING MATERIAL            | BRASS, CHROME PLATED             |
| ACTIVE FACE                 | PLASTIC, PA12-GF30               |
| CABLE                       | PVC                              |
| VIBRATION RESISTANCE        | 55 Hz (IN ALL 3 PLANES)          |
| SHOCK RESISTANCE            | 30 g, 11 ms                      |
| DEGREE OF PROTECTION        | IP 67                            |
| SWITCHING STATUS INDICATION | LED, YELLOW                      |



SOURCE DRAWING - FOR REFERENCE ONLY

|                   |  |   |                            |  |                               |   |     |
|-------------------|--|---|----------------------------|--|-------------------------------|---|-----|
| RELATED DOCUMENTS |  | 3RD ANGLE PROJECTION  |                            | THIS DRAWING IS CONFIDENTIAL AND THE PROPERTY OF TURCK INC. USE OF THIS DOCUMENT WITHOUT WRITTEN PERMISSION IS PROHIBITED. |                               | <br>3000 CAMPUS DRIVE<br>MINNEAPOLIS, MN 55441<br>1-800-544-7769<br>(763) 553-7300<br>(763) 553-0708 fax<br>www.turck.us |     |
| 1.                |  |                      | DRFT                       | RDS  | DATE 02/06/12                 | DESCRIPTION<br>BI5-M18T-AZ3X 17M  |     |
| 2.                |  |   | APVD                       |  | SCALE 1=1.3                   |   |     |
| 3.                |  | ALL DIMENSIONS DISPLAYED ON THIS DRAWING ARE FOR REFERENCE ONLY<br><br>CONTACT TURCK FOR MORE INFORMATION | UNIT OF MEASUREMENT        |  | IDENTIFICATION NO.<br>4614091 |   | REV |
| 4.                |  |   | <b>INCH [ MILLIMETER ]</b> |  |                               |   | B   |
| MATERIAL          |  | SEE NOTES   |                            | DO NOT SCALE THIS DRAWING  |                               | FILE: 4614091   |     |
| FINISH            |  | SEE NOTES   |                            |  |                               | SHEET 1 OF 1  |     |

|     |  |     |          |         |
|-----|--|-----|----------|---------|
| B   | UPDATE ID NUMBER PER HARMONIZATION PROJECT | CBM | 11/06/17 |         |
| REV | DESCRIPTION                                | BY  | DATE     | ECO NO. |