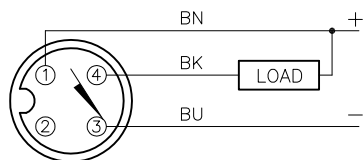


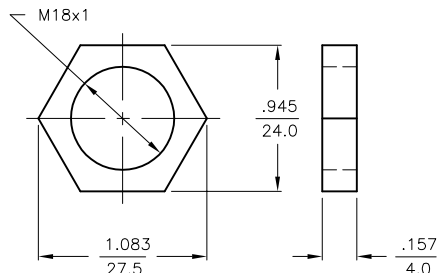
WIRING DIAGRAM



OUTPUT: AN6X

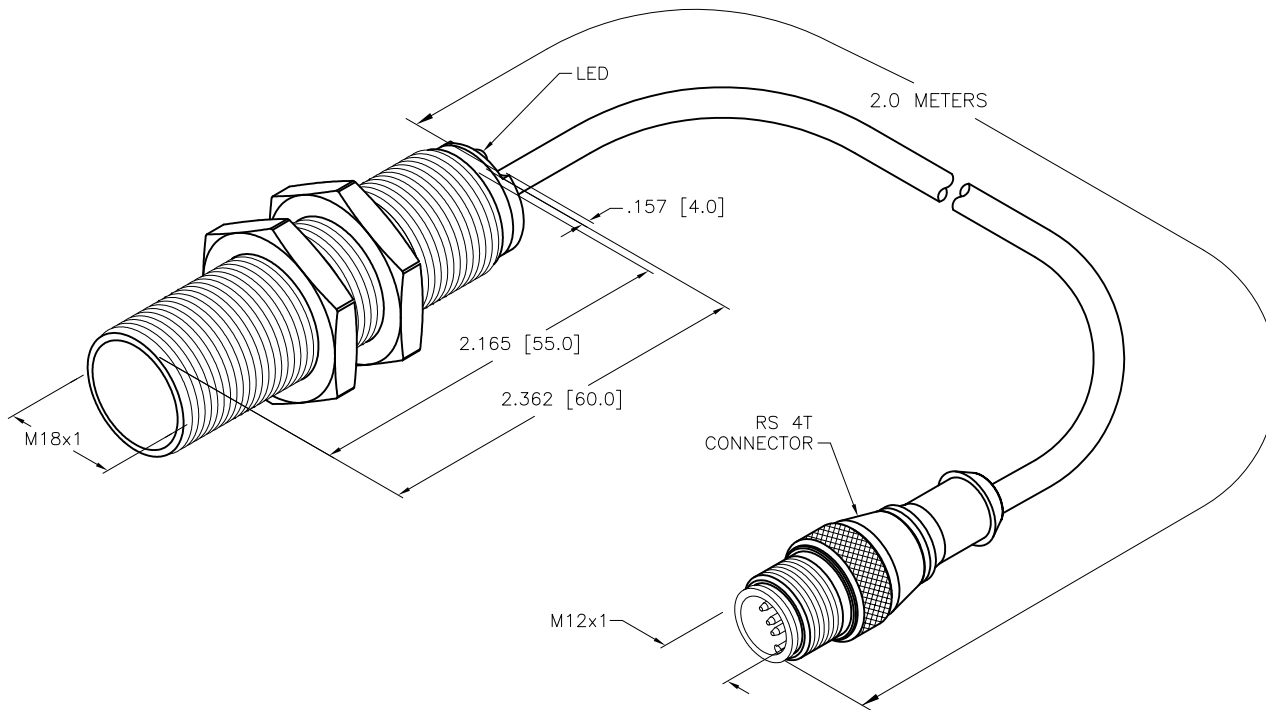
SHORT-CIRCUIT AND OVERLOAD PROTECTED

LOCKNUT LN-M18



SPECIFICATIONS

| | |
|-----------------------------|----------------------------------|
| RATED OPERATING DISTANCE | 5mm [.197] |
| MOUNTING MODE | FLUSH |
| TEMPERATURE DRIFT | ≤±10% |
| HYSTERESIS | 3-15% |
| MIN. REPEAT ACCURACY | ≤2% |
| OPERATING TEMPERATURE | -25°C to +70°C (-13°F to +158°F) |
| RATED OPERATIONAL VOLTAGE | 10-30 VDC |
| RESIDUAL RIPPLE | ≤ 10% |
| RATED OPERATIONAL CURRENT | ≤ 200 mA |
| NO-LOAD CURRENT | ≤ 15 mA |
| RESIDUAL CURRENT | ≤ 0.1 mA |
| RATED INSULATION VOLTAGE | ≤ 0.5 kV |
| SHORT-CIRCUIT PROTECTION | YES |
| MAX. VOLTAGE DROP | ≤ 1.8 V |
| WIRE BREAKAGE PROTECTION | INCORPORATED |
| REVERSE POLARITY PROTECTION | INCORPORATED |
| OUTPUT FUNCTION | 3-WIRE, NORMALLY OPEN, NPN |
| MAX. SWITCHING FREQUENCY | ≤ 0.5 kHz |
| HOUSING MATERIAL | BRASS, CHROME PLATED |
| ACTIVE FACE | PLASTIC, PA12-GF20 |
| END CAP | PLASTIC, EPTR |
| CABLE | ∅5.2, PVC |
| VIBRATION RESISTANCE | 55 Hz (IN ALL 3 PLANES) |
| SHOCK RESISTANCE | 30 g, 11 ms |
| DEGREE OF PROTECTION | IP 67 |
| SWITCHING STATUS INDICATION | LED, YELLOW |



SOURCE DRAWING - FOR REFERENCE ONLY

| | | | | | | | |
|--|--|---|--|--|--|--|--|
| RELATED DOCUMENTS | | 3RD ANGLE PROJECTION | | THIS DRAWING IS CONFIDENTIAL AND THE PROPERTY OF TURCK INC. USE OF THIS DOCUMENT WITHOUT WRITTEN PERMISSION IS PROHIBITED. | | 3000 CAMPUS DRIVE MINNEAPOLIS, MN 55441 1-800-544-7769 (763) 553-7300 (763) 553-0708 fax www.turck.us | |
| 1. 2. 3. 4. | | | | DRFT RDS DATE 10/11/13 | | DESCRIPTION BI5-M18E-AN6X-2-RS4T | |
| MATERIAL | | ALL DIMENSIONS DISPLAYED ON THIS DRAWING ARE FOR REFERENCE ONLY | | APVD A.F. SCALE 1=1.0 | | IDENTIFICATION NO. 46111000 | |
| FINISH | | CONTACT TURCK FOR MORE INFORMATION | | UNIT OF MEASUREMENT INCH [MILLIMETER] | | REV B | |
| B UPDATE ID NUMBER PER HARMONIZATION PROJECT | | CBM 12/20/17 | | DO NOT SCALE THIS DRAWING | | FILE: 46111000 | |
| REV DESCRIPTION | | BY DATE ECO NO. | | | | SHEET 1 OF 1 | |

| | | | | |
|-----|--|-----|----------|---------|
| B | UPDATE ID NUMBER PER HARMONIZATION PROJECT | CBM | 12/20/17 | |
| REV | DESCRIPTION | BY | DATE | ECO NO. |