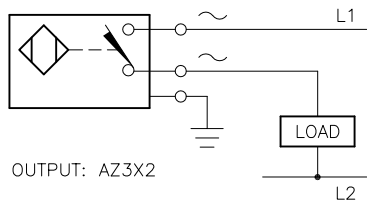


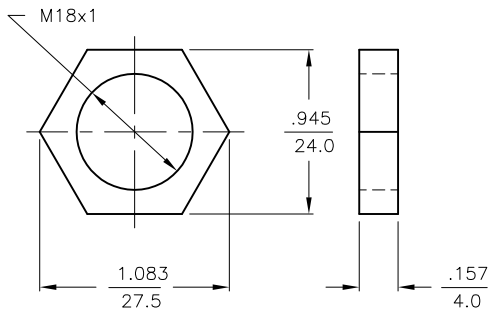
WIRING DIAGRAM



OUTPUT: AZ3X2

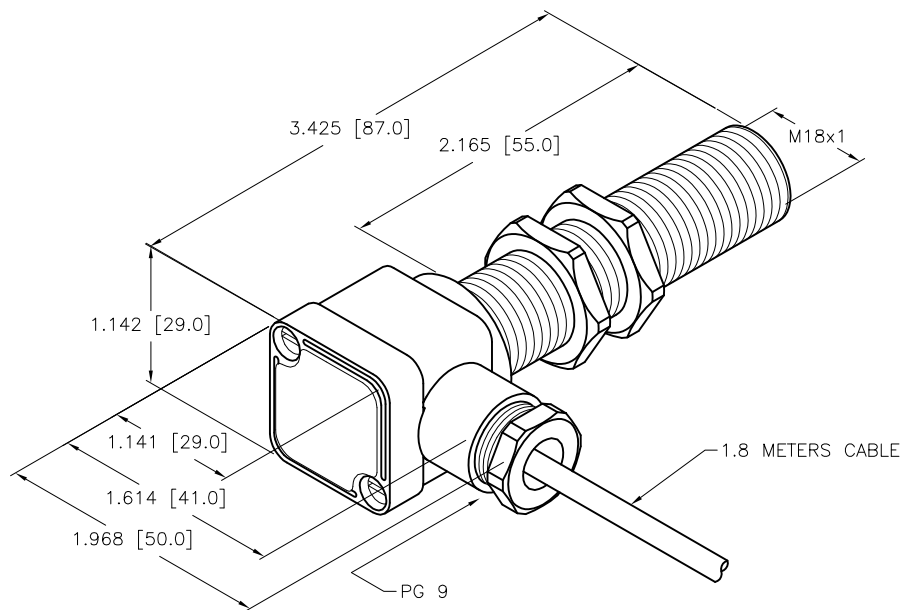
**WARNING: NO SHORT-CIRCUIT PROTECTION**  
ALWAYS WIRE A LOAD IN SERIES WITH THE SENSOR.

LOCKNUT LN-M18



SPECIFICATIONS

RATED OPERATING DISTANCE	5 mm = .197"
MOUNTING MODE	FLUSH
TEMPERATURE DRIFT	≤±10% ≤±20%, ≥ +70°C
HYSTERESIS	3-15%
MIN. REPEAT ACCURACY	≤2%
OPERATING TEMPERATURE	-25°C to +70°C (-13°F to +158°F)
RATED OPERATIONAL VOLTAGE	20-250 VAC/DC
RATED OPERATIONAL CURRENT	≤500 mA
LINE FREQUENCY	40-60 Hz
MAX. OFF-STATE CURRENT	≤1.7 mA
RATED INSULATION VOLTAGE	≤1.5 kV
SURGE CURRENT	≤8 A (≤10 ms MAX. 5 Hz)
MAX. VOLTAGE DROP	≤7.0 V
OUTPUT FUNCTION	2-WIRE, NORMALLY OPEN
MIN. OPERATIONAL CURRENT	≥3 mA
MAX. SWITCHING FREQUENCY	≤0.02 kHz
HOUSING MATERIAL	BRASS, CHROME PLATED
ACTIVE FACE	PLASTIC, PA12-GF30
CABLE	ø5.2, PVC
VIBRATION RESISTANCE	55 Hz (IN ALL 3 PLANES)
SHOCK RESISTANCE	30 g, 11 ms
DEGREE OF PROTECTION	IP 67
SWITCHING STATUS INDICATION	LED, YELLOW



SOURCE DRAWING - FOR REFERENCE ONLY

RELATED DOCUMENTS		3RD ANGLE PROJECTION		THIS DRAWING IS CONFIDENTIAL AND THE PROPERTY OF TURCK INC. USE OF THIS DOCUMENT WITHOUT WRITTEN PERMISSION IS PROHIBITED.		<p>3000 CAMPUS DRIVE MINNEAPOLIS, MN 55441 1-800-544-7769 (763) 553-7300 (763) 553-0708 fax www.turck.us</p>		
1.			ALL DIMENSIONS DISPLAYED ON THIS DRAWING ARE FOR REFERENCE ONLY	DRFT	KMY	DATE	03/13/12	DESCRIPTION
2.				APVD	J.M.	SCALE	1=2.0	
3.		MATERIAL		UNIT OF MEASUREMENT		IDENTIFICATION NO.		REV
4.		SEE NOTES		INCH [ MILLIMETER ]		4331491		B
FINISH		SEE NOTES		CONTACT TURCK FOR MORE INFORMATION		DO NOT SCALE THIS DRAWING		FILE: 4331491
B	UPDATE ID NUMBER PER HARMONIZATION PROJECT	CBM	11/06/17					SHEET 1 OF 1
REV	DESCRIPTION	BY	DATE	ECO NO.				