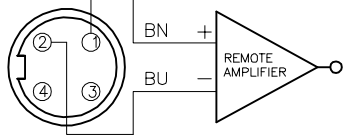


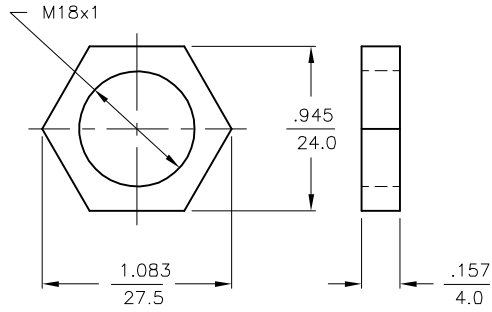
WIRING DIAGRAM



OUTPUT: YOX

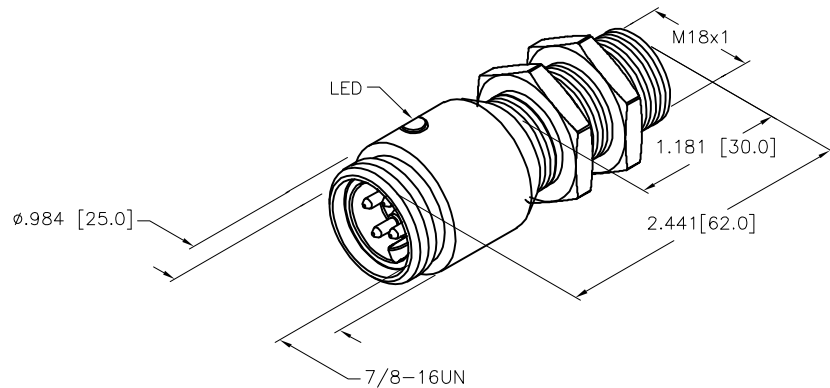
SHORT-CIRCUIT AND OVERLOAD PROTECTED

LOCKNUT LN-M18



SPECIFICATIONS


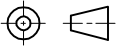
OPERATING VOLTAGE	5-30 VDC
NOMINAL VOLTAGE FOR INTRINSICALLY-SAFE SENSORS	8.2 VDC
OUTPUT FUNCTION	RESISTANCE CHANGE, REQUIRES REMOTE AMPLIFIER
RESISTANCE CHANGE FROM NONACTIVATED TO ACTIVATED CONDITION	1.0 kΩ to >8.0 kΩ
RESULTING CURRENT CHANGE	≥ 2.2 mA to ≤ 1.0 mA
RECOMMENDED SWITCHING POINT FOR REMOTE AMPLIFIER	1.55 mA
TIME DELAY BEFORE AVAILABILITY	≤ 2 ms
POWER-ON EFFECT PROTECTION	REALIZED IN AMPLIFIER
REVERSE POLARITY PROTECTION	INCORPORATED
WIRE-BREAK PROTECTION	REALIZED IN AMPLIFIER
PROTECTION AGAINST TRANSIENTS	REALIZED IN AMPLIFIER
OPERATING TEMPERATURE	-25°C to +70°C (-13°F to +158°F)
ENCLOSURE	MEETS NEMA 1, 3, 4, 13 AND IEC IP67
SHOCK	30 g, 11 ms
VIBRATION	55 Hz, 1 mm AMPLITUDE (IN ALL 3 PLANES)
LED FUNCTION	RED: OUTPUT ENERGIZED
RATED OPERATING DISTANCE(Sn)	5 mm = .197" (NOMINAL)
SWITCHING FREQUENCY	1000 Hz
REPEATABILITY	≤ 2% of RATED OPERATING DISTANCE
EMBEDDABLE (SHIELDED)	YES



SOURCE DRAWING - FOR REFERENCE ONLY

NOTES:

1. "/S1646" DESIGNATES WIRING 1-BN, 2-BU.

RELATED DOCUMENTS		3RD ANGLE PROJECTION		THIS DRAWING IS CONFIDENTIAL AND THE PROPERTY OF TURCK INC. USE OF THIS DOCUMENT WITHOUT WRITTEN PERMISSION IS PROHIBITED.		 3000 CAMPUS DRIVE MINNEAPOLIS, MN 55441 1-800-544-7769 (763) 553-7300 (763) 553-0708 fax www.turck.us	
1. 2. 3. 4.				DRFT TV	DATE 09/18/17	DESCRIPTION BI5-G18-YOX-B1341/S1646	
MATERIAL BRASS BARREL		ALL DIMENSIONS DISPLAYED ON THIS DRAWING ARE FOR REFERENCE ONLY		APVD A.F.	SCALE 1=1.3	IDENTIFICATION NO. 4015095	
FINISH COPPER/NICKEL/ CHROME PLATING		CONTACT TURCK FOR MORE INFORMATION		UNIT OF MEASUREMENT INCH [MILLIMETER]		REV A	
A DRAWING RELEASE		TV	09/19/17	DO NOT SCALE THIS DRAWING		FILE: 4015095	
REV	DESCRIPTION	BY	DATE	ECO NO.	SHEET 1 OF 1		