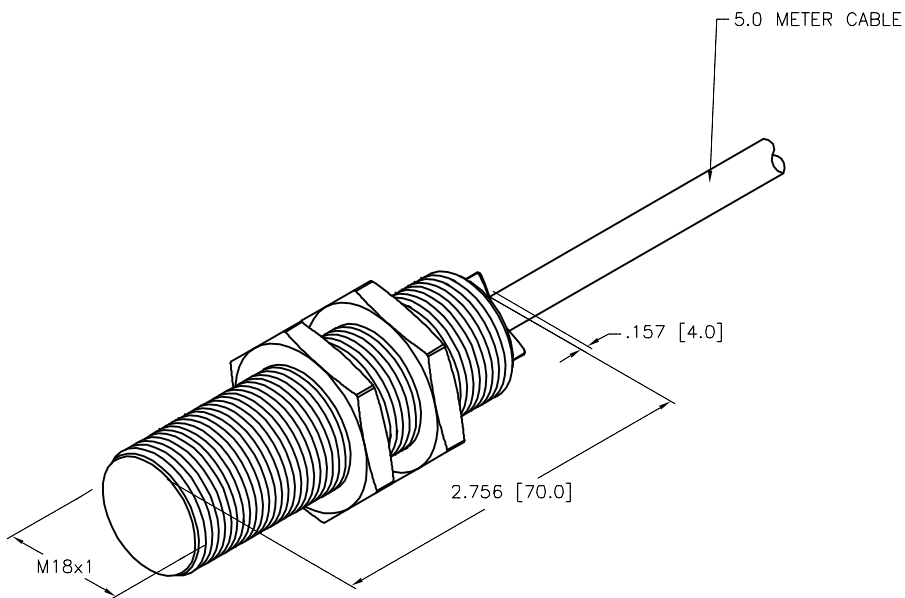


| SPECIFICATIONS | |
|----------------------------------|---|
| RATED OPERATING DISTANCE | 5 mm [.197"] |
| MOUNTING MODE | FLUSH |
| MIN. REPEAT ACCURACY | ≤ 2% |
| TEMPERATURE DRIFT | ≤ ± 10% |
| HYSTERESIS | 1-10% |
| OPERATING TEMPERATURE | -25°C to +70°C (-13°F to +158°F) |
| OUTPUT FUNCTION | 2-WIRE, NAMUR |
| SWITCHING FREQUENCY | ≤ 1.0 kHz |
| OPERATING VOLTAGE | 8.2 VDC NOMINAL |
| NON-ACTUATED CURRENT CONSUMPTION | ≥ 2.1 mA |
| ACTUATED CURRENT CONSUMPTION | ≤ 1.2 mA |
| ENCLOSURE | MEETS NEMA 1,3,4,6,13 AND IEC IP67 |
| HOUSING MATERIAL | BRASS/CHROME-PLATED |
| ACTIVE FACE MATERIAL | PLASTIC, PA12-GF30 |
| END CAP MATERIAL | PLASTIC, TROGAMID T |
| CABLE | ø5.2, PVC/BLEU |
| SHOCK RESISTANCE | 30 g, 11 ms |
| VIBRATION RESISTANCE | 55 Hz, 1 mm AMPLITUDE (IN ALL 3 PLANES) |
| DEGREE OF PROTECTION | IP67 |



SOURCE DRAWING - FOR REFERENCE ONLY

| | | | | | | | |
|-------------------|--|---|---------------------|--|---------------|--|--------------|
| RELATED DOCUMENTS | | 3RD ANGLE PROJECTION | | THIS DRAWING IS CONFIDENTIAL AND THE PROPERTY OF TURCK INC. USE OF THIS DOCUMENT WITHOUT WRITTEN PERMISSION IS PROHIBITED. | | <p>3000 CAMPUS DRIVE MINNEAPOLIS, MN 55441 1-800-544-7769 (763) 553-7300 (763) 553-0708 fax www.turck.us</p> | |
| 1. | | | DRFT | RDS | DATE 08/05/11 | DESCRIPTION | |
| 2. | | | APVD | | SCALE 1=1.0 | BI5-G18-Y0 70MM 5M | |
| 3. | | ALL DIMENSIONS DISPLAYED ON THIS DRAWING ARE FOR REFERENCE ONLY CONTACT TURCK FOR MORE INFORMATION | UNIT OF MEASUREMENT | | | IDENTIFICATION NO. | REV |
| 4. | | | INCH [MILLIMETER] | | | 10060000 | C |
| MATERIAL | | SEE NOTES | | DO NOT SCALE THIS DRAWING | | FILE: 10060000 | SHEET 1 OF 1 |
| FINISH | | SEE NOTES | | | | | |

| | | | | |
|-----|--------------------|-----|----------|--------------|
| C | UPDATE DESCRIPTION | RDS | 06/20/19 | 500000000149 |
| REV | DESCRIPTION | BY | DATE | ECO NO. |