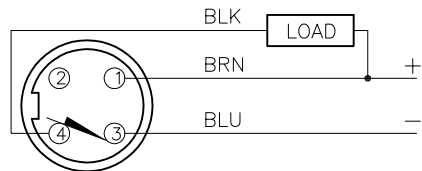


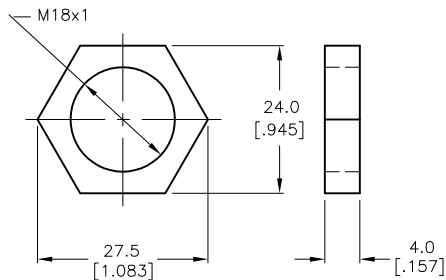
WIRING DIAGRAM



OUTPUT: RN6X

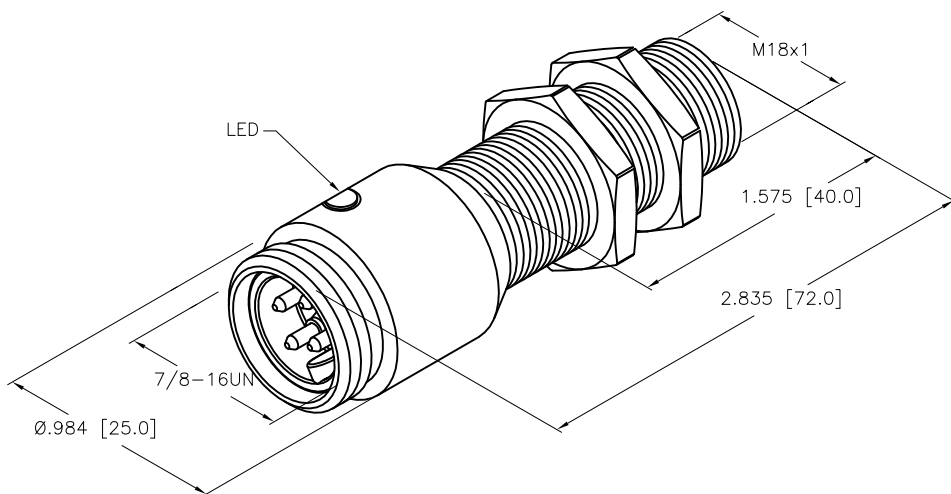
SHORT-CIRCUIT AND OVERLOAD PROTECTED

LOCKNUT LN-M18



SPECIFICATIONS

| | |
|-----------------------------|-----------------------------------------|
| RATED OPERATING DISTANCE | 5mm [.197"] |
| MOUNTING MODE | FLUSH |
| HYSTERESIS | 3-15% |
| MIN. REPEAT ACCURACY | ≤ 2% |
| TEMPERATURE DRIFT | ≤ ± 10% |
| OPERATING TEMPERATURE | -25°C to +70°C (-13°F to +158°F) |
| RATED OPERATIONAL VOLTAGE | 10-30 VDC |
| RESIDUAL RIPPLE | ≤ 10% |
| RATED OPERATIONAL CURRENT | ≤ 200 mA |
| NO-LOAD CURRENT | ≤ 15 mA |
| RESIDUAL CURRENT | ≤ 0.1 mA |
| RATED INSULATION VOLTAGE | ≤ 0.5 kV |
| SHORT-CIRCUIT PROTECTED | YES |
| MAX. VOLTAGE DROP | ≤ 1.8 V |
| REVERSE POLARITY PROTECTION | INCORPORATED |
| WIRE-BREAK PROTECTION | INCORPORATED |
| OUTPUT FUNCTION | 3-WIRE, NORMALLY CLOSED, NPN |
| MAX. SWITCHING FREQUENCY | ≤ 0.5 kHz |
| HOUSING MATERIAL | METAL, BRASS, CHROME-PLATED |
| ACTIVE FACE | PLASTIC, PA12-GF20 |
| END CAP MATERIAL | PLASTIC, EPTR |
| CONNECTION | 7/8-16UN |
| SHOCK RESISTANCE | 30 g, 11 ms |
| VIBRATION RESISTANCE | 55 Hz, 1 mm AMPLITUDE (IN ALL 3 PLANES) |
| DEGREE OF PROTECTION | IP67 |
| SWITCHING STATUS INDICATION | LED, YELLOW |



SOURCE DRAWING - FOR REFERENCE ONLY

| | | | | | | |
|-------------------------------------------|---------------------------|----------------------------------------------------------------------------------------------------------------------------|---------------------------------------------------|----------------------------------------------------------------------------------------------------------------------|-------------------------------|----------|
| RELATED DOCUMENTS 1. 2. 3. 4. | 3RD ANGLE PROJECTION | THIS DRAWING IS CONFIDENTIAL AND THE PROPERTY OF TURCK INC. USE OF THIS DOCUMENT WITHOUT WRITTEN PERMISSION IS PROHIBITED. | | 3000 CAMPUS DRIVE MINNEAPOLIS, MN 55441 1-800-544-7769 (763) 553-7300 (763) 553-0708 fax www.turck.us | | |
| | MATERIAL | DRFT RDS APVD J.M. | DATE 01/19/12 SCALE 1=1.0 | DESCRIPTION BI5-G18-RN6X-B1341 | | |
| | FINISH | ALL DIMENSIONS DISPLAYED ON THIS DRAWING ARE FOR REFERENCE ONLY CONTACT TURCK FOR MORE INFORMATION | UNIT OF MEASUREMENT INCH [MILLIMETER] | | IDENTIFICATION NO. 1679290 | REV C |
| | DO NOT SCALE THIS DRAWING | | FILE: 1679290 | | SHEET 1 OF 1 | |

| | | | | |
|-----|--------------------------------------------|-----|----------|---------|
| C | UPDATE ID NUMBER PER HARMONIZATION PROJECT | CBM | 11/06/17 | |
| REV | DESCRIPTION | BY | DATE | ECO NO. |