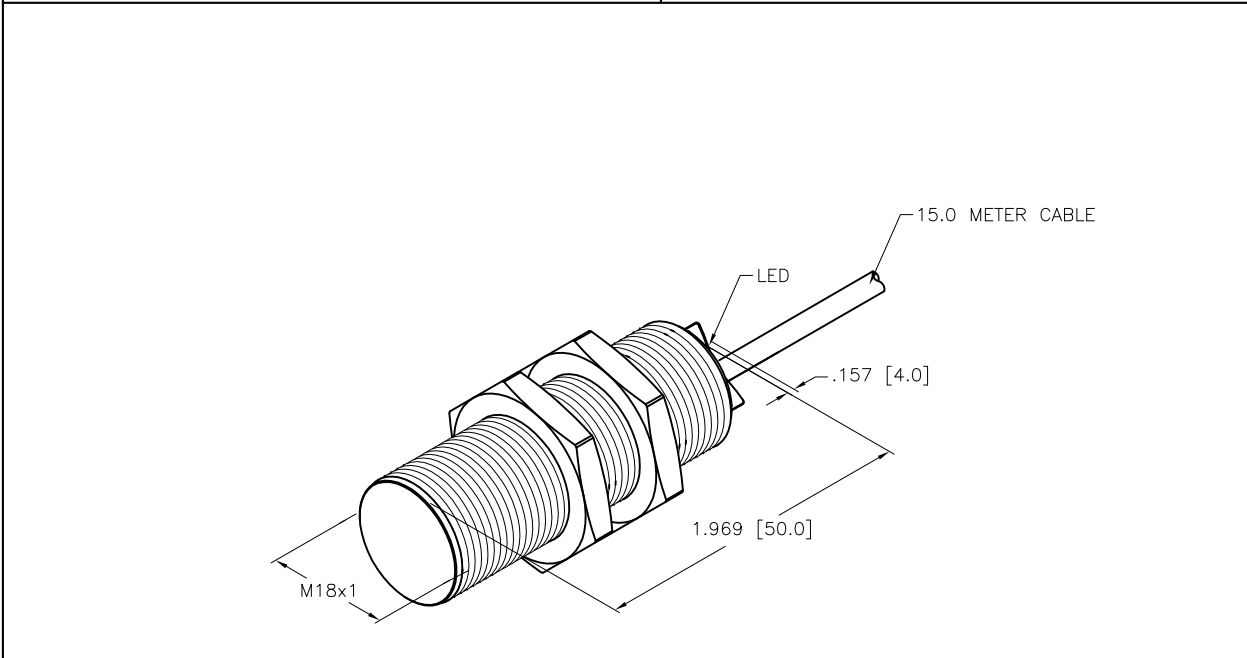


SPECIFICATIONS

RATED OPERATING DISTANCE	5mm [.197"]
MOUNTING MODE	FLUSH
HYSTERESIS	3-15%
MIN. REPEAT ACCURACY	≤ 2%
TEMPERATURE DRIFT	≤ ± 10%
OPERATING TEMPERATURE	-25°C to +70°C (-13°F to +158°F)
RATED OPERATIONAL VOLTAGE	10-30 VDC
RESIDUAL RIPPLE	≤ ± 10%
RATED OPERATIONAL CURRENT	≤ 200 mA
NO-LOAD CURRENT	≤ 15 mA
RESIDUAL CURRENT	≤ 0.1 mA
RATED INSULATION VOLTAGE	≤ 0.5 kV
SHORT-CIRCUIT PROTECTED	YES
MAX. VOLTAGE DROP	≤ 1.8 V
REVERSE POLARITY PROTECTION	INCORPORATED
WIRE-BREAK PROTECTION	INCORPORATED
OUTPUT FUNCTION	3-WIRE, NORMALLY OPEN, PNP
MAX. SWITCHING FREQUENCY	≤ 0.5 kHz
HOUSING MATERIAL	METAL, BRASS, CHROME-PLATED
ACTIVE FACE	PLASTIC, PA12-GF20
END CAP MATERIAL	PLASTIC, EPTR
CABLE	∅5.2, PVC
SHOCK RESISTANCE	30 g, 11 ms
VIBRATION RESISTANCE	55 Hz, 1 mm AMPLITUDE (IN ALL 3 PLANES)
DEGREE OF PROTECTION	IP67
SWITCHING STATUS INDICATION	LED, YELLOW



SOURCE DRAWING - FOR REFERENCE ONLY

<p>RELATED DOCUMENTS</p> <ol style="list-style-type: none"> 1. 2. 3. 4. 	<p>3RD ANGLE PROJECTION</p>	<p>THIS DRAWING IS CONFIDENTIAL AND THE PROPERTY OF TURCK INC. USE OF THIS DOCUMENT WITHOUT WRITTEN PERMISSION IS PROHIBITED.</p>	<p>3000 CAMPUS DRIVE MINNEAPOLIS, MN 55441 1-800-544-7769 (763) 553-7300 (763) 553-0708 fax www.turck.us</p>	<p style="text-align: center; font-size: 2em; font-weight: bold;">TURCK</p>
<p>MATERIAL</p>	<p>ALL DIMENSIONS DISPLAYED ON THIS DRAWING ARE FOR REFERENCE ONLY</p>	<p>DRFT RDS DATE 05/03/11</p> <p>APVD SCALE 1=1.0</p>	<p>DESCRIPTION</p> <p style="text-align: center; font-size: 1.2em;">BI5-G18-AP6X 15M</p>	
<p>FINISH</p>	<p>CONTACT TURCK FOR MORE INFORMATION</p>	<p style="text-align: center;">UNIT OF MEASUREMENT</p> <p style="text-align: center; font-weight: bold;">INCH [MILLIMETER]</p>	<p>IDENTIFICATION NO.</p> <p style="text-align: center; font-size: 1.2em;">4641474</p>	<p>REV</p> <p style="text-align: center; font-size: 1.5em;">C</p>
<p>C UPDATE ID NUMBER PER HARMONIZATION PROJECT CBM 11/30/17</p>		<p>DO NOT SCALE THIS DRAWING</p>		<p>FILE: 4641474</p>
<p>REV DESCRIPTION</p>	<p>BY DATE ECO NO.</p>	<p>SHEET 1 OF 1</p>		

C	UPDATE ID NUMBER PER HARMONIZATION PROJECT	CBM	11/30/17
REV	DESCRIPTION	BY	DATE ECO NO.