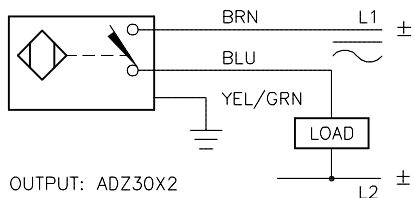


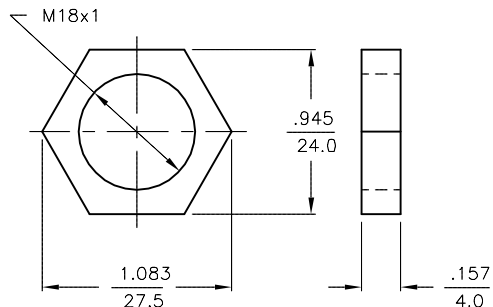
WIRING DIAGRAM



OUTPUT: ADZ30X2

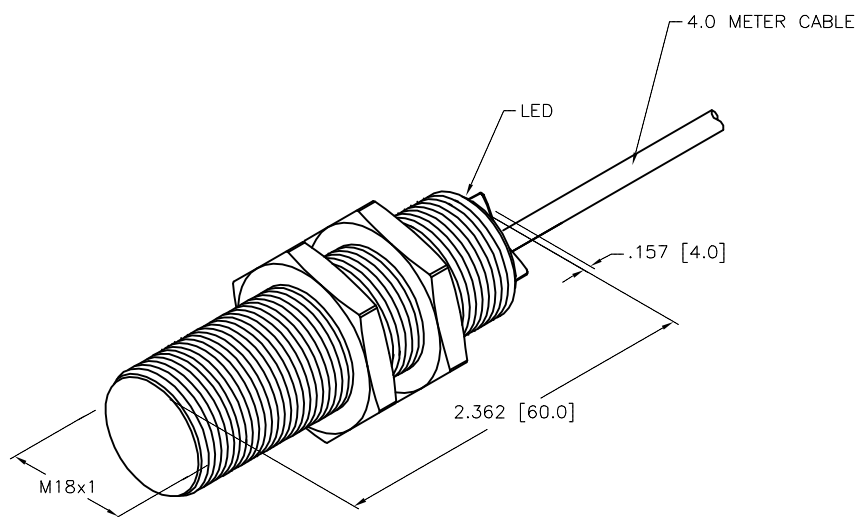
SHORT-CIRCUIT AND OVERLOAD PROTECTED

LOCKNUT LN-M18




SPECIFICATIONS

RATED OPERATING DISTANCE	5 mm = .197"
MOUNTING MODE	FLUSH
HYSTERESIS	3-15%
MIN. REPEAT ACCURACY	≤ 2%
TEMPERATURE DRIFT	≤ ± 10%
OPERATING TEMPERATURE	-25°C to +70°C (-13°F to +158°F)
RATED OPERATIONAL VOLTAGE	20-250 VAC/10-300 VDC
RATED OPERATIONAL CURRENT (AC/DC)	≤ 400 mA/≤ 300 mA
MAINS FREQUENCY	50-60 Hz
RESIDUAL CURRENT	≤ 1.7 mA
RATED INSULATION VOLTAGE	≤ 1.5 kV
SURGE CURRENT	≤ 3.0 A (≤ 20 ms MAX. 5 Hz)
SHORT-CIRCUIT PROTECTED	YES
MAX. VOLTAGE DROP	≤ 6.0 V
REVERSE POLARITY PROTECTION	INCORPORATED
WIRE-BREAK PROTECTION	INCORPORATED
OUTPUT FUNCTION	2-WIRE, NORMALLY OPEN, AC/DC
SMALLEST OPERATING CURRENT	≥ 3.0 mA
MAX. SWITCHING FREQUENCY	≤ 0.03 kHz
HOUSING MATERIAL	METAL, BRASS (CHROME-PLATED)
ACTIVE FACE	PLASTIC, PA12-GF20
CABLE	∅5.2, PVC
SHOCK	30 g, 11 ms
VIBRATION	55 Hz, 1 mm AMPLITUDE (IN ALL 3 PLANES)
DEGREE OF PROTECTION	IP67
OPERATING VOLTAGE DISPLAY	LED; GREEN
SWITCHING STATUS DISPLAY	LED; RED



SOURCE DRAWING - FOR REFERENCE ONLY

RELATED DOCUMENTS		3RD ANGLE PROJECTION		THIS DRAWING IS CONFIDENTIAL AND THE PROPERTY OF TURCK INC. USE OF THIS DOCUMENT WITHOUT WRITTEN PERMISSION IS PROHIBITED.		 3000 CAMPUS DRIVE MINNEAPOLIS, MN 55441 1-800-544-7769 (763) 553-7300 (763) 553-0708 fax www.turck.us	
1.		MATERIAL	SEE SPECS	DRFT	RDS	DATE	11/18/15
2.				APVD	A.F.	SCALE	1=1.0
3.		FINISH	SEE SPECS	UNIT OF MEASUREMENT		DESCRIPTION	
4.				INCH [MILLIMETER]		BI5-G18-ADZ30X2 4M	
C		UPDATE SWITCHING STATUS DISPLAY	RDS	04/05/19	69279	IDENTIFICATION NO.	
REV		DESCRIPTION	BY	DATE	ECO NO.	4212097	
						REV	
						C	
						FILE: 4212097	
						SHEET 1 OF 1	

C	UPDATE SWITCHING STATUS DISPLAY	RDS	04/05/19	69279
REV	DESCRIPTION	BY	DATE	ECO NO.