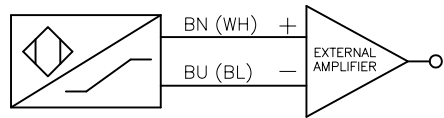
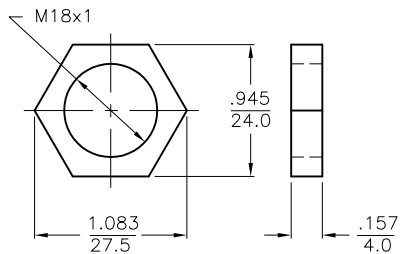


WIRING DIAGRAM



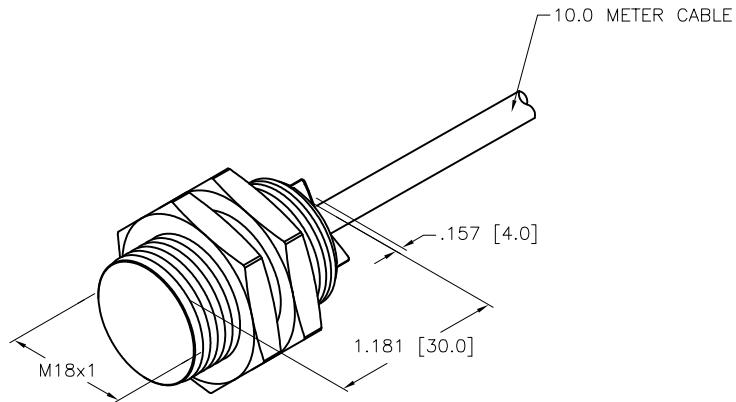
OUTPUT: YOX

LOCKNUT LN-M18 SS



SPECIFICATIONS

RATED OPERATING DISTANCE	5mm [.197]
MOUNTING MODE	FLUSH
MIN. REPEAT ACCURACY	≤ 2%
TEMPERATURE DRIFT	≤ ±10%
HYSTERESIS	1-10%
OPERATING TEMPERATURE	-25°C to +70°C (-13°F to +158°F)
OUTPUT FUNCTION	2-WIRE, NAMUR
SWITCHING FREQUENCY	≤ 1.0 kHz
OPERATING VOLTAGE	NOM. 8.2 VDC
NON-ACTUATED CURRENT CONSUMPTION	≥ 2.1 mA
ACTUATED CURRENT CONSUMPTION	≤ 1.2 mA
APPROVAL ACCORDING TO:	KEMA 02 ATEX 1090X
INTERNAL INDUCTANCE (L <sub>i</sub> )/CAPACITANCE (C <sub>i</sub> )	150 nF/150 μH
MARKING ON THE DEVICE	Ⓔ II 2 G EEx ia IIC T6 (max. U <sub>i</sub> = 20 V, I <sub>i</sub> = 20 mA, P <sub>i</sub> = 200 mW)
HOUSING MATERIAL	STAINLESS STEEL
ACTIVE FACE MATERIAL	PLASTIC, PBT
SHOCK RESISTANCE	30 g, 11 ms
VIBRATION RESISTANCE	55 Hz, 1 mm AMPLITUDE (IN ALL 3 PLANES)
DEGREE OF PROTECTION	IP67



SOURCE DRAWING - FOR REFERENCE ONLY

RELATED DOCUMENTS		3RD ANGLE PROJECTION		THIS DRAWING IS CONFIDENTIAL AND THE PROPERTY OF TURCK INC. USE OF THIS DOCUMENT WITHOUT WRITTEN PERMISSION IS PROHIBITED.		3000 CAMPUS DRIVE MINNEAPOLIS, MN 55441 1-800-544-7769 (763) 553-7300 (763) 553-0708 fax www.turck.us	
1. 2. 3. 4.				DRFT RDS DATE 03/13/12		DESCRIPTION BI5-EG18-Y0 10M	
MATERIAL SEE SPECS		ALL DIMENSIONS DISPLAYED ON THIS DRAWING ARE FOR REFERENCE ONLY		APVD J.M. SCALE 1=1.0		IDENTIFICATION NO. 10060010	
FINISH		CONTACT TURCK FOR MORE INFORMATION		UNIT OF MEASUREMENT <b>INCH [ MILLIMETER ]</b>		REV B	
B UPDATE ID NUMBER PER HARMONIZATION PROJECT		CBM 11/06/17		DO NOT SCALE THIS DRAWING		FILE: 10060010	
REV DESCRIPTION		BY DATE ECO NO.				SHEET 1 OF 1	

B	UPDATE ID NUMBER PER HARMONIZATION PROJECT	CBM	11/06/17	
REV	DESCRIPTION	BY	DATE	ECO NO.