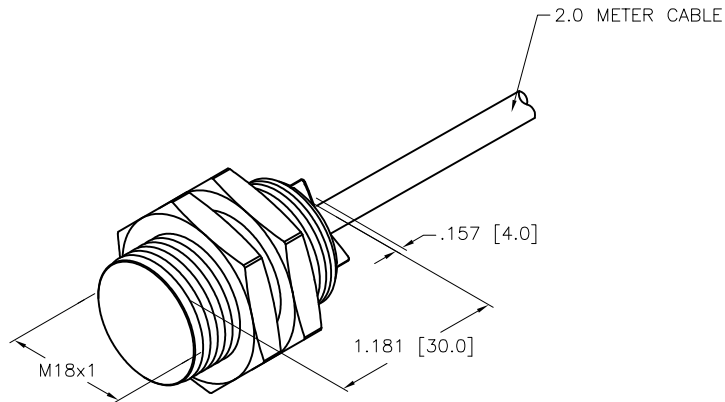

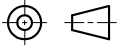


SPECIFICATIONS	
RATED OPERATING DISTANCE	5mm [.197]
MOUNTING MODE	FLUSH
MIN. REPEAT ACCURACY	≤ 2%
TEMPERATURE DRIFT	≤ ±10%
HYSTERESIS	1-10%
OPERATING TEMPERATURE	-25°C to +70°C (-13°F to +158°F)
OUTPUT FUNCTION	2-WIRE, NAMUR
SWITCHING FREQUENCY	≤ 1.0 kHz
OPERATING VOLTAGE	NOM. 8.2 VDC
NON-ACTUATED CURRENT CONSUMPTION	≥ 2.1 mA
ACTUATED CURRENT CONSUMPTION	≤ 1.2 mA
APPROVAL ACCORDING TO:	KEMA 02 ATEX 1090X
INTERNAL INDUCTANCE (L _i)/CAPACITANCE (C _i)	150 nF/150 μH
MARKING ON THE DEVICE	Ⓔ II 2 G EEx ia IIC T6 (max. U _i = 20 V, I _i = 20 mA, P _i = 200 mW)
HOUSING MATERIAL	STAINLESS STEEL
ACTIVE FACE MATERIAL	PLASTIC, PBT
CONNECTOR	M12x1
SHOCK RESISTANCE	30 g, 11 ms
VIBRATION RESISTANCE	55 Hz, 1 mm AMPLITUDE (IN ALL 3 PLANES)
DEGREE OF PROTECTION	IP67



SOURCE DRAWING - FOR REFERENCE ONLY

RELATED DOCUMENTS		3RD ANGLE PROJECTION		THIS DRAWING IS CONFIDENTIAL AND THE PROPERTY OF TURCK INC. USE OF THIS DOCUMENT WITHOUT WRITTEN PERMISSION IS PROHIBITED.		 3000 CAMPUS DRIVE MINNEAPOLIS, MN 55441 1-800-544-7769 (763) 553-7300 (763) 553-0708 fax www.turck.us			
1. 2. 3. 4.				DRFT	RDS	DATE	08/15/02	DESCRIPTION	
MATERIAL		SEE NOTES		APVD		SCALE	1=1.0	B15-EG18-Y0	
FINISH		ALL DIMENSIONS DISPLAYED ON THIS DRAWING ARE FOR REFERENCE ONLY		UNIT OF MEASUREMENT		IDENTIFICATION NO.		REV	
		CONTACT TURCK FOR MORE INFORMATION		INCH [MILLIMETER]		1006060		D	
D UPDATE ID NUMBER PER HARMONIZATION PROJECT		CBM 11/30/17		DO NOT SCALE THIS DRAWING		FILE: 1006060		SHEET 1 OF 1	
REV DESCRIPTION		BY DATE ECO NO.							

D	UPDATE ID NUMBER PER HARMONIZATION PROJECT	CBM	11/30/17	
REV	DESCRIPTION	BY	DATE	ECO NO.