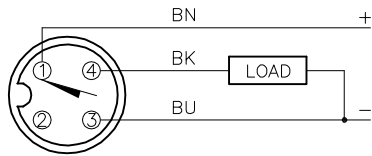


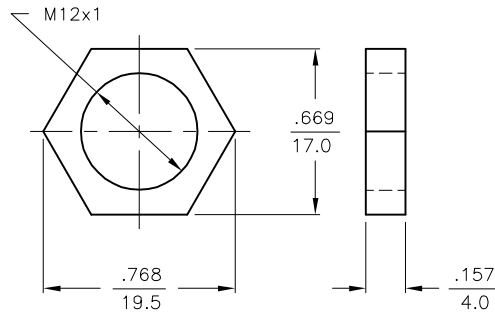
WIRING DIAGRAM



OUTPUT: AP6X

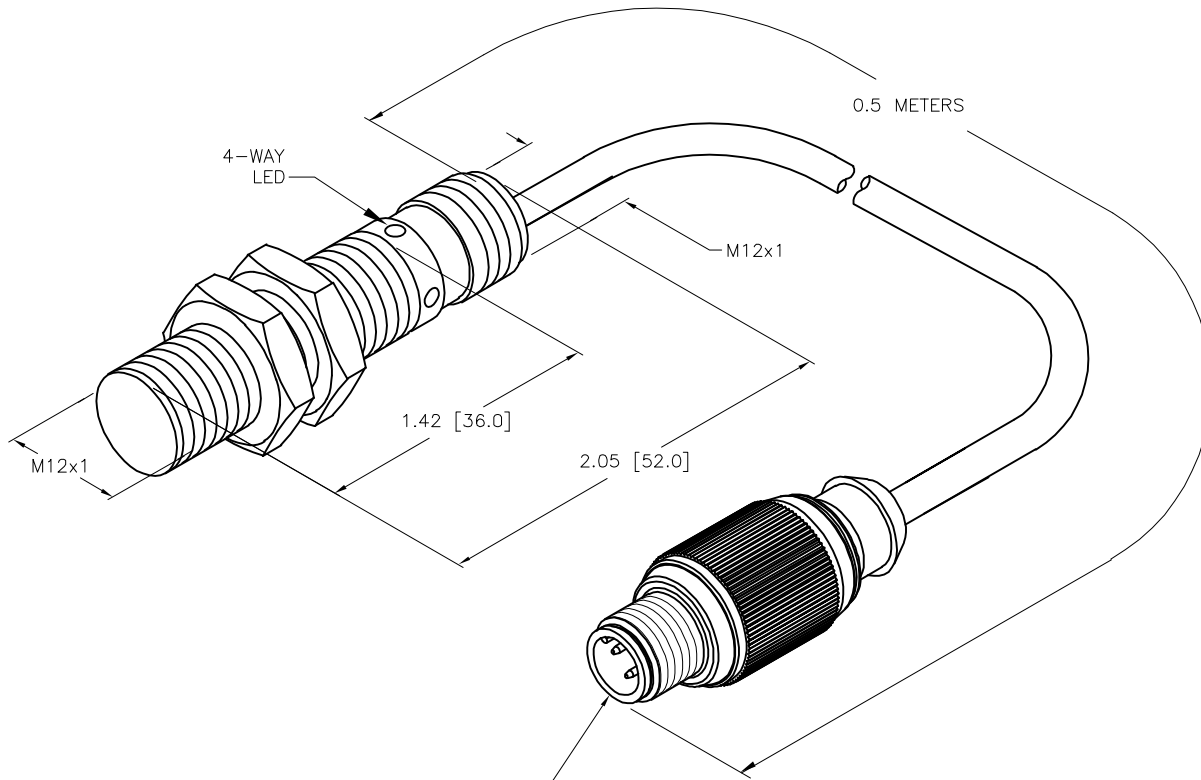
SHORT-CIRCUIT AND OVERLOAD PROTECTED

LOCKNUT LN-SS12



SPECIFICATIONS

| | |
|--------------------------------|---|
| RATED OPERATING DISTANCE | 4mm = .158" (NOMINAL) |
| MOUNTING MODE | FLUSH |
| MIN. REPEAT ACCURACY | ≤ 2% |
| TEMPERATURE DRIFT | ≤ ±10% ≤ ±20%, ≤ -25°C, ≥ +70°C |
| HYSTERESIS | 3-15% |
| OPERATING TEMPERATURE | -40°C to +100°C (-40°F to +212°F) |
| RATED OPERATIONAL VOLTAGE | 10-30 VDC |
| RESIDUAL RIPPLE | ≤ 10% |
| RATED OPERATIONAL CURRENT | ≤ 200 mA |
| NO-LOAD CURRENT | ≤ 15 mA |
| RESIDUAL CURRENT | ≤ 0.1 mA |
| RATED INSULATION VOLTAGE | ≤ 0.5 kV |
| SHORT-CIRCUIT PROTECTION | INCORPORATED |
| MAX. VOLTAGE DROP | ≤ 1.8 V |
| WIRE BREAKAGE PROTECTION | INCORPORATED |
| REVERSE POLARITY PROTECTION | INCORPORATED |
| OUTPUT FUNCTION | 3-WIRE, NORMALLY OPEN, PNP |
| MAX. SWITCHING FREQUENCY | ≤ 3 kHz |
| HOUSING MATERIAL | METAL, AISI 316L |
| ACTIVE FACE | PLASTIC, LCP-GF30 |
| CONNECTOR HOUSING MATERIAL | PLASTIC, PP, TRANSPARENT |
| CABLE | ø5.2, WHITE D12YSL9Y-0B, PP |
| VIBRATION RESISTANCE | 55 Hz, 1 mm AMPLITUDE (IN ALL 3 PLANES) |
| SHOCK RESISTANCE | 30 g, 11 ms |
| DEGREE OF PROTECTION | IP68/IP69K |
| SWITCHING STATUS INDICATION | LED, YELLOW |
| M12 CONNECTOR MOLD MAT'L/COLOR | POLYPROPYLENE/WHITE |



RSGV 4T CONNECTOR

SOURCE DRAWING - FOR REFERENCE ONLY

| | | | | | |
|---|--------------------------------|--|-----------------------|--|---|
| RELATED DOCUMENTS 1. 2. 3. 4. | 3RD ANGLE PROJECTION | THIS DRAWING IS CONFIDENTIAL AND THE PROPERTY OF TURCK INC. USE OF THIS DOCUMENT WITHOUT WRITTEN PERMISSION IS PROHIBITED. | | 3000 CAMPUS DRIVE MINNEAPOLIS, MN 55441 1-800-544-7769 (763) 553-7300 (763) 553-0708 fax www.turck.us | |
| | MATERIAL SEE SPECS | ALL DIMENSIONS DISPLAYED ON THIS DRAWING ARE FOR REFERENCE ONLY CONTACT TURCK FOR MORE INFORMATION | DRFT RDS APVD A.F. | DATE 02/02/12 SCALE 1=1.0 | DESCRIPTION BI4U-EM12WD-AP6X-0.5-RSGV 4T |
| FINISH | | UNIT OF MEASUREMENT INCH [MILLIMETER] | | IDENTIFICATION NO. 16348110 | REV C |
| C UPDATE MAX. SWITCHING FREQUENCY SPEC REV DESCRIPTION | NF 07/25/24 BY DATE ECO NO. | DO NOT SCALE THIS DRAWING | | FILE: 16348110 | SHEET 1 OF 1 |

