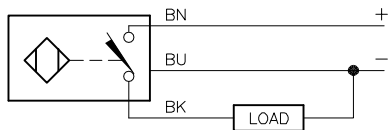


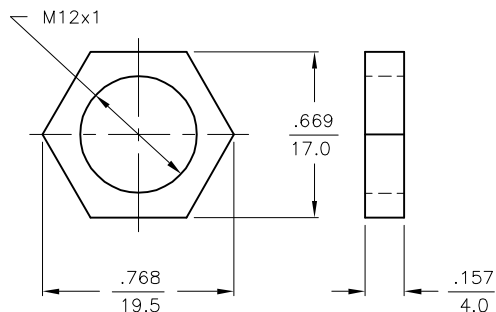
WIRING DIAGRAM



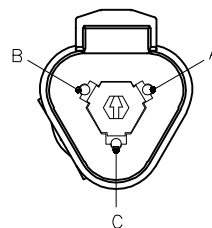
OUTPUT: AP6X

SHORT-CIRCUIT AND OVERLOAD PROTECTED

LOCKNUT LN-SS12



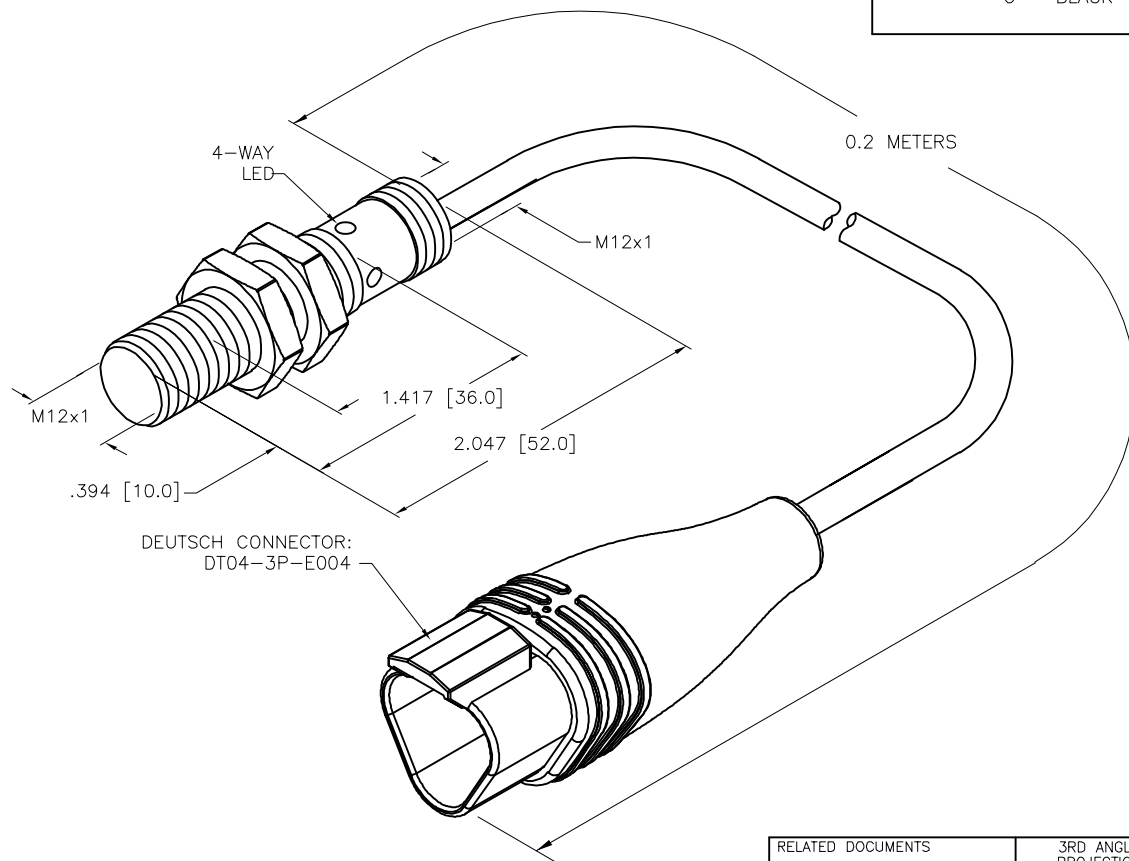
MALE END VIEW



A = BROWN  
B = BLUE  
C = BLACK

SPECIFICATIONS

RATED OPERATING DISTANCE	4mm = .158"
MOUNTING MODE	FLUSH
MIN. REPEAT ACCURACY	≤ 2%
TEMPERATURE DRIFT	≤ ±10% ≤ ±20%, ≤ -25°C, ≥ +70°C
HYSTERESIS	3-15%
OPERATING TEMPERATURE	-40°C to +100°C (-40°F to +212°F)
RATED OPERATIONAL VOLTAGE	10-30 VDC
RESIDUAL RIPPLE	≤ 10%
RATED OPERATIONAL CURRENT	≤ 200 mA
NO-LOAD CURRENT	≤ 15 mA
RESIDUAL CURRENT	≤ 0.1 mA
RATED INSULATION VOLTAGE	≤ 0.5 kV
SHORT-CIRCUIT PROTECTION	INCORPORATED
MAX. VOLTAGE DROP	≤ 1.8 V
WIRE BREAKAGE PROTECTION	INCORPORATED
REVERSE POLARITY PROTECTION	INCORPORATED
OUTPUT FUNCTION	3-WIRE, NORMALLY OPEN, PNP
MAX. SWITCHING FREQUENCY	≤ 3 kHz
HOUSING MATERIAL	METAL, AISI 316L
ACTIVE FACE	PLASTIC, LCP-GF30
CONNECTOR HOUSING MATERIAL	316 STAINLESS STEEL
CABLE	ø5.2, GRAY, TPE
VIBRATION RESISTANCE	55 Hz, 1 mm AMPLITUDE (IN ALL 3 PLANES)
SHOCK RESISTANCE	30 g, 11 ms
DEGREE OF PROTECTION	IP68/IP69K (SENSOR)
SWITCHING STATUS INDICATION	LED, YELLOW



NOTES:

1. "/S987" DESIGNATES SPECIAL TPE CABLE. FOOD ENVIRONMENT SAFE.
2. DEUTSCH COMPONENTS USED:  
CONNECTOR: DT04-3P-E004  
WEDGE: W3P  
TERMINALS: 0460-202-16141

SOURCE DRAWING - FOR REFERENCE ONLY

RELATED DOCUMENTS 1. 2. 3. 4.	3RD ANGLE PROJECTION	THIS DRAWING IS CONFIDENTIAL AND THE PROPERTY OF TURCK INC. USE OF THIS DOCUMENT WITHOUT WRITTEN PERMISSION IS PROHIBITED.	3000 CAMPUS DRIVE MINNEAPOLIS, MN 55441 1-800-544-7769 (763) 553-7300 (763) 553-0708 fax www.turck.us	
			DRFT RDS APVD A.K.	DATE 02/19/18 SCALE 1=1.0
MATERIAL  SEE SPECS	ALL DIMENSIONS DISPLAYED ON THIS DRAWING ARE FOR REFERENCE ONLY	UNIT OF MEASUREMENT <b>INCH [ MILLIMETER ]</b>		IDENTIFICATION NO.  4414753
FINISH		CONTACT TURCK FOR MORE INFORMATION		REV  C
C UPDATE MAX. SWITCHING FREQUENCY SPEC	NF 07/25/24	80442	DO NOT SCALE THIS DRAWING	
REV DESCRIPTION	BY DATE	ECO NO.	FILE: 4414753	SHEET 1 OF 1