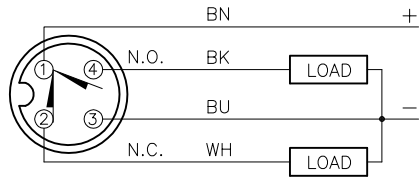
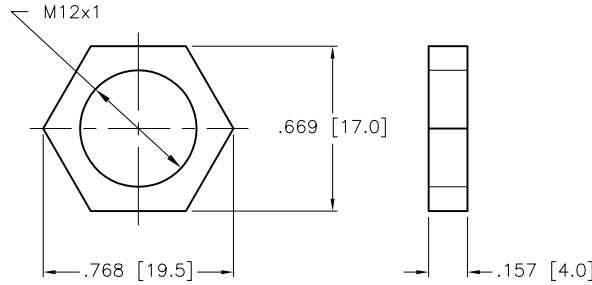


WIRING DIAGRAM



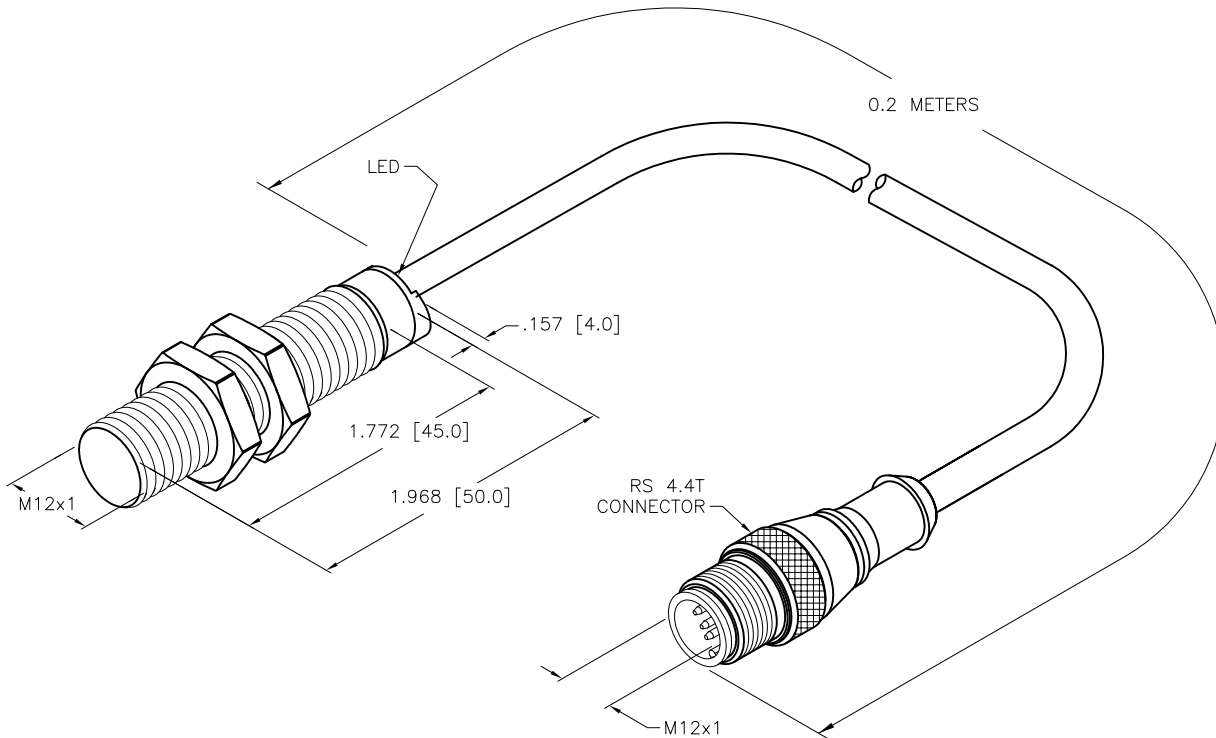
OUTPUT: VP6X

LOCKNUT LN-M12



SPECIFICATIONS

RATED OPERATING DISTANCE	4mm = .157"
MOUNTING MODE	FLUSH
TEMPERATURE DRIFT	≤±10%
HYSTERESIS	3-15%
MIN. REPEAT ACCURACY	≤ 2%
OPERATING TEMPERATURE	-25C to +70°C (+13°F to +158°F)
RATED OPERATIONAL VOLTAGE	10-30 VDC
RESIDUAL RIPPLE	≤ 10%
DC RATED OPERATIONAL CURRENT	≤ 200 mA
NO-LOAD CURRENT	≤ 15 mA
RESIDUAL CURRENT	≤ 0.1 mA
RATED INSULATION VOLTAGE	≤ 0.5 kV
SHORT-CIRCUIT PROTECTION	YES
MAX. VOLTAGE DROP	≤ 1.8 V
WIRE BREAKAGE PROTECTION	INCORPORATED
REVERSE POLARITY PROTECTION	INCORPORATED
MAX. SWITCHING FREQUENCY	≤ 2.0 kHz
OUTPUT FUNCTION	4-WIRE, CHANGE-OVER, PNP
HOUSING MATERIAL	METAL, BRASS, CHROME-PLATED
ACTIVE FACE MATERIAL	PLASTIC, PA12-GF30
END CAP	PLASTIC, EPTR
CABLE	ø5.3, PVC
VIBRATION RESISTANCE	55 Hz (IN ALL 3 PLANES)
SHOCK RESISTANCE	30 g, 11 ms
DEGREE OF PROTECTION	IP67
SWITCHING STATUS INDICATION	LED, YELLOW



SOURCE DRAWING - FOR REFERENCE ONLY

RELATED DOCUMENTS 1. 2. 3. 4.	3RD ANGLE PROJECTION 	THIS DRAWING IS CONFIDENTIAL AND THE PROPERTY OF TURCK INC. USE OF THIS DOCUMENT WITHOUT WRITTEN PERMISSION IS PROHIBITED.		3000 CAMPUS DRIVE MINNEAPOLIS, MN 55441 1-800-544-7769 (763) 553-7300 (763) 553-0708 fax www.turck.us		
	MATERIAL SEE SPECS	ALL DIMENSIONS DISPLAYED ON THIS DRAWING ARE FOR REFERENCE ONLY	DRFT NF	DATE 01/14/16	DESCRIPTION BI4-M12-VP6X-0.2-RS4.4T	
			APVD A.F.	SCALE 1=1.0		
	FINISH SEE SPECS	CONTACT TURCK FOR MORE INFORMATION	UNIT OF MEASUREMENT INCH [MILLIMETER]		IDENTIFICATION NO. 16333000	REV B
DO NOT SCALE THIS DRAWING		FILE: 16333000		SHEET 1 OF 1		

B	UPDATE ID NUMBER PER HARMONIZATION PROJECT	CBM	12/20/17	
REV	DESCRIPTION	BY	DATE	ECO NO.