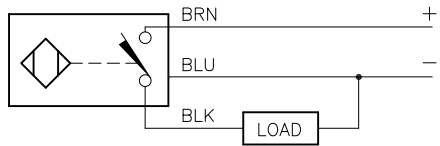


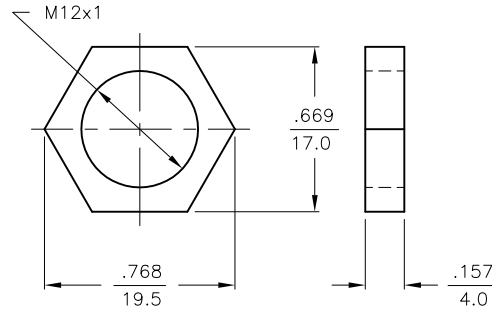
WIRING DIAGRAM



OUTPUT: AP6X

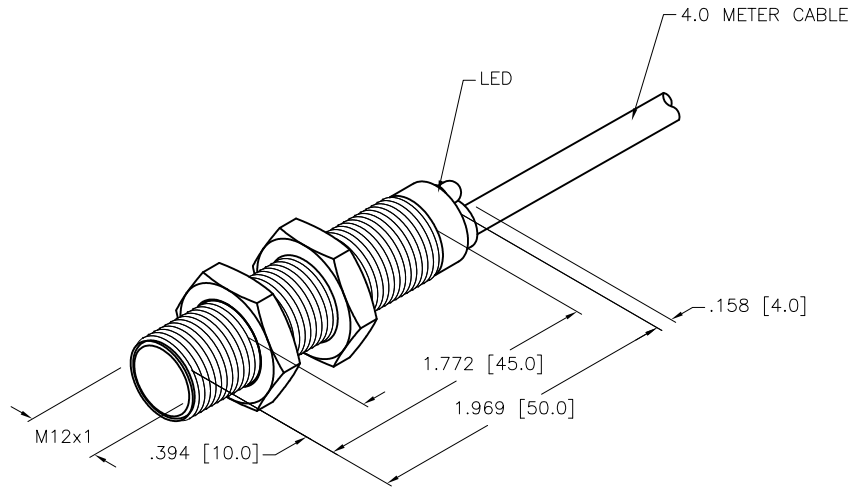
SHORT-CIRCUIT AND OVERLOAD PROTECTED

LOCKNUT LN-M12



SPECIFICATIONS

|                             |                                  |
|-----------------------------|----------------------------------|
| RATED OPERATING DISTANCE    | 4mm [.158]                       |
| MOUNTING MODE               | FLUSH                            |
| TEMPERATURE DRIFT           | ≤±10%                            |
| HYSTERESIS                  | 3-15%                            |
| MIN. REPEAT ACCURACY        | ≤2%                              |
| OPERATING TEMPERATURE       | -25°C to +70°C (-13°F to +158°F) |
| RATED OPERATIONAL VOLTAGE   | 10-30 VDC                        |
| RESIDUAL RIPPLE             | ≤ 10%                            |
| RATED OPERATIONAL CURRENT   | ≤ 200 mA                         |
| NO-LOAD CURRENT             | ≤ 15 mA                          |
| RESIDUAL CURRENT            | ≤ 0.1 mA                         |
| RATED INSULATION VOLTAGE    | ≤ 0.5 kV                         |
| SHORT-CIRCUIT PROTECTION    | YES                              |
| MAX. VOLTAGE DROP           | ≤ 1.8 V                          |
| WIRE BREAKAGE PROTECTION    | INCORPORATED                     |
| REVERSE POLARITY PROTECTION | INCORPORATED                     |
| OUTPUT FUNCTION             | 3-WIRE, NORMALLY OPEN, PNP       |
| MAX. SWITCHING FREQUENCY    | ≤ 2 kHz                          |
| HOUSING MATERIAL            | BRASS, CHROME PLATED             |
| ACTIVE FACE                 | PLASTIC, PA12-GF30               |
| CABLE                       | ø5.2, PVC                        |
| VIBRATION RESISTANCE        | 55 Hz (IN ALL 3 PLANES)          |
| SHOCK RESISTANCE            | 30 g, 11 ms                      |
| DEGREE OF PROTECTION        | IP 67                            |
| SWITCHING STATUS INDICATION | LED, YELLOW                      |



SOURCE DRAWING - FOR REFERENCE ONLY

|   |                                    |  |                       |  |                                |
|---|------------------------------------|--|-----------------------|--|--------------------------------|
| RELATED DOCUMENTS<br>1.<br>2.<br>3.<br>4.                       | 3RD ANGLE PROJECTION<br>           | THIS DRAWING IS CONFIDENTIAL AND THE PROPERTY OF TURCK INC. USE OF THIS DOCUMENT WITHOUT WRITTEN PERMISSION IS PROHIBITED. |                       | 3000 CAMPUS DRIVE<br>MINNEAPOLIS, MN 55441<br>1-800-544-7769<br>(763) 553-7300<br>(763) 553-0708 fax<br>www.turck.us |                                |
|   | MATERIAL                           | ALL DIMENSIONS DISPLAYED ON THIS DRAWING ARE FOR REFERENCE ONLY  | DRFT RDS<br>APVD J.M. | DATE 02/06/12<br>SCALE 1=1.0   | DESCRIPTION<br>B14-M12-AP6X 4M |
| FINISH  | CONTACT TURCK FOR MORE INFORMATION | UNIT OF MEASUREMENT<br><b>INCH [ MILLIMETER ]</b>  |                       | IDENTIFICATION NO.<br>46070971   | REV<br>B                       |
| B UPDATE ID NUMBER PER HARMONIZATION PROJECT<br>REV DESCRIPTION | CBM 11/06/17<br>BY DATE ECO NO.    | DO NOT SCALE THIS DRAWING  |                       | FILE: 46070971   | SHEET 1 OF 1                   |

|     |  |     |          |         |
|-----|--|-----|----------|---------|
| B   | UPDATE ID NUMBER PER HARMONIZATION PROJECT | CBM | 11/06/17 |         |
| REV | DESCRIPTION                                | BY  | DATE     | ECO NO. |