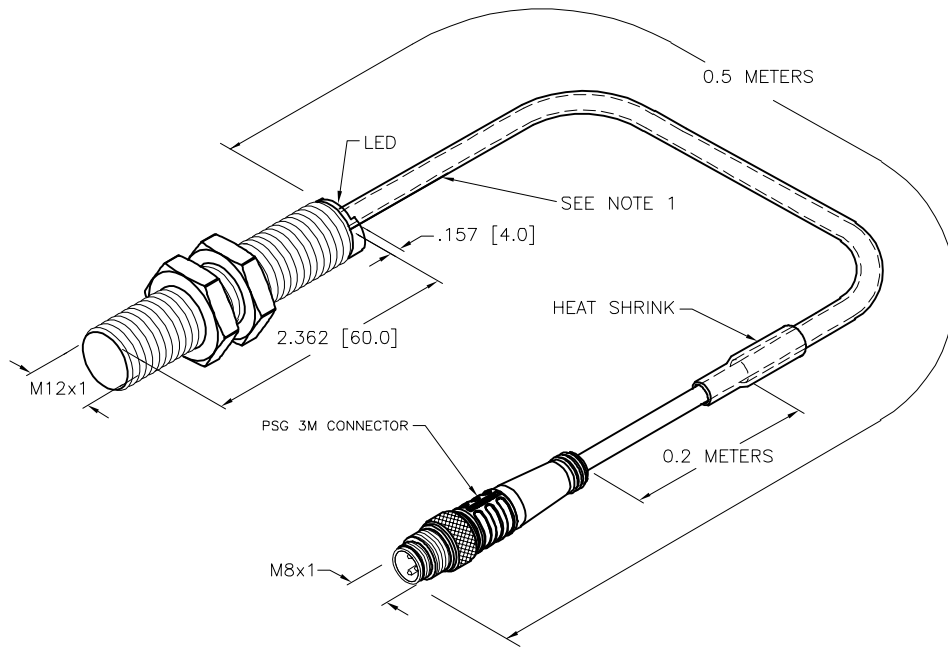


SPECIFICATIONS	
RATED OPERATING DISTANCE	4mm = 0.157"
MOUNTING MODE	FLUSH
TEMPERATURE DRIFT	≤ ±10%
HYSTERESIS	1-15%
MIN. REPEAT ACCURACY	≤ 2%
OPERATING TEMPERATURE	-25°C to +70°C (-13°F to +158°F)
RATED OPERATIONAL VOLTAGE	10-30 VDC
RESIDUAL RIPPLE	≤ ±10%
DC RATED OPERATIONAL CURRENT	≤ 100 mA
RESIDUAL CURRENT	≤ 0.6 mA
RATED INSULATION VOLTAGE	≤ 0.5 kV
SHORT-CIRCUIT PROTECTED	YES
MAX. VOLTAGE DROP	≤ 5 V
OUTPUT FUNCTION	3-WIRE, NORMALLY OPEN, PNP
SMALLEST OPERATING CURRENT	≥ 3.0 mA
MAX. SWITCHING FREQUENCY	≤ 1.0 kHz
HOUSING MATERIAL	BRASS/PTFE-COATED
ACTIVE FACE MATERIAL	PLASTIC, PA12-GF30
CABLE	∅5.3, PVC
SHOCK	30 g, 11 ms
VIBRATION	55 Hz, 1 mm AMPLITUDE (IN ALL 3 PLANES)
DEGREE OF PROTECTION	IP67
SWITCHING STATUS INDICATION	LED: YELLOW



NOTES:

1. "/S1765" DESIGNATES WELDGUARD COATED SENSOR WITH SILICONE SLEEVING. SLEEVE STARTS ON SENSOR END, AND COVERS ALL BUT 200MM OF CABLE HELD IN PLACE BY SHRINK TUBE.
2. "/SV" DESIGNATES SPECIAL PACKAGING FOR VENDING MACHINES.

SOURCE DRAWING - FOR REFERENCE ONLY

RELATED DOCUMENTS 1. 2. 3. 4.	3RD ANGLE PROJECTION 	THIS DRAWING IS CONFIDENTIAL AND THE PROPERTY OF TURCK INC. USE OF THIS DOCUMENT WITHOUT WRITTEN PERMISSION IS PROHIBITED.		3000 CAMPUS DRIVE MINNEAPOLIS, MN 55441 1-800-544-7769 (763) 553-7300 (763) 553-0708 fax www.turck.us	
		MATERIAL SEE NOTES	DRFT NF APVD A.F.	DATE 01/11/18 SCALE 1=1.3	DESCRIPTION BI4-GT12-AP6X-0.5-PSG3M/S1765/SV
FINISH SEE NOTES	ALL DIMENSIONS DISPLAYED ON THIS DRAWING ARE FOR REFERENCE ONLY CONTACT TURCK FOR MORE INFORMATION	UNIT OF MEASUREMENT INCH [MILLIMETER]		IDENTIFICATION NO. 46702805	REV A
A DRAWING RELEASE REV DESCRIPTION	NF 01/11/18 BY DATE ECO NO.	DO NOT SCALE THIS DRAWING			FILE: 46702805 SHEET 1 OF 1

TURCK