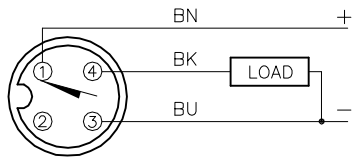


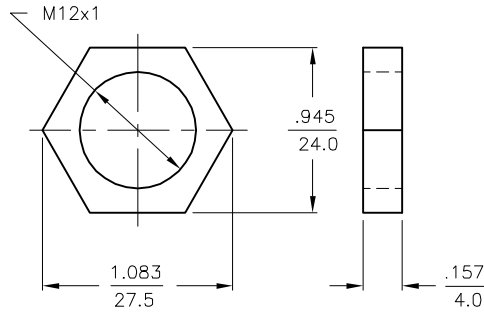
WIRING DIAGRAM



OUTPUT: AP6X

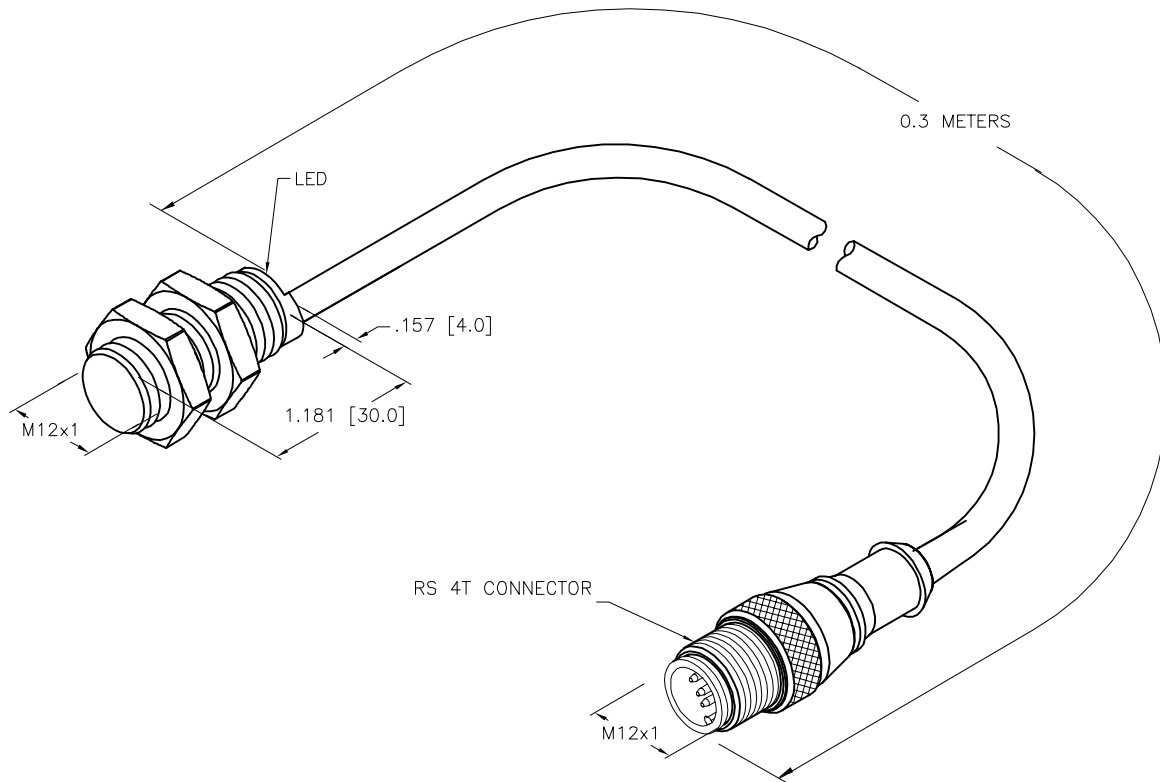
SHORT-CIRCUIT AND OVERLOAD PROTECTED

LOCKNUT LN-M12



SPECIFICATIONS

| | |
|------------------------------|----------------------------------|
| RATED OPERATING DISTANCE | 4 mm = .157" (NOMINAL) |
| MOUNTING MODE | FLUSH |
| TEMPERATURE DRIFT | ≤ ±10% |
| HYSTERESIS | 3-15% |
| MIN. REPEAT ACCURACY | ≤ 2% |
| OPERATING TEMPERATURE | -25°C to +70°C (-13°F to +158°F) |
| RATED OPERATIONAL VOLTAGE | 10-30 VDC |
| RESIDUAL RIPPLE | ≤ 10% |
| DC RATED OPERATIONAL CURRENT | ≤ 200 mA |
| NO-LOAD CURRENT | ≤ 15 mA |
| RESIDUAL CURRENT | ≤ 0.1 mA |
| RATED INSULATION VOLTAGE | ≤ 0.5 kV |
| SHORT-CIRCUIT PROTECTION | YES |
| MAX. VOLTAGE DROP | ≤ 1.8 V |
| WIRE BREAKAGE PROTECTION | INCORPORATED |
| REVERSE POLARITY PROTECTION | INCORPORATED |
| OUTPUT FUNCTION | 3-WIRE, NORMALLY OPEN, PNP |
| MAX. SWITCHING FREQUENCY | ≤ 2.0 kHz |
| HOUSING MATERIAL | BRASS, CHROME-COATED |
| ACTIVE FACE | PLASTIC, PA12-GF30 |
| CABLE | Ø5.2, PVC |
| VIBRATION RESISTANCE | 55 Hz (IN ALL 3 PLANES) |
| SHOCK RESISTANCE | 30 g, 11 ms |
| DEGREE OF PROTECTION | IP 67 |
| SWITCHING STATUS INDICATION | LED: YELLOW |



SOURCE DRAWING - FOR REFERENCE ONLY

| | | | | | | | | |
|-------------------|-----------------|---|----------|--|------|--|----------|--------------------------------|
| RELATED DOCUMENTS | | 3RD ANGLE PROJECTION | | THIS DRAWING IS CONFIDENTIAL AND THE PROPERTY OF TURCK INC. USE OF THIS DOCUMENT WITHOUT WRITTEN PERMISSION IS PROHIBITED. | | 3000 CAMPUS DRIVE MINNEAPOLIS, MN 55441 1-800-544-7769 (763) 553-7300 (763) 553-0708 fax www.turck.us | | |
| 1. | | | | DRFT | RDS | DATE | 12/14/20 | |
| 2. | | | | APVD | A.F. | SCALE | 1=1.0 | |
| 3. | | ALL DIMENSIONS DISPLAYED ON THIS DRAWING ARE FOR REFERENCE ONLY | | | | DESCRIPTION B14-G12K-AP6X-0.3-RS4T | | |
| 4. | | CONTACT TURCK FOR MORE INFORMATION | | | | UNIT OF MEASUREMENT INCH [MILLIMETER] | | IDENTIFICATION NO. 46702504 |
| MATERIAL | | SEE NOTES | | | | DO NOT SCALE THIS DRAWING | | REV A |
| FINISH | | SEE NOTES | | | | FILE: 46702504 | | SHEET 1 OF 1 |
| A | DRAWING RELEASE | RDS | 12/14/20 | | | | | |
| REV | DESCRIPTION | BY | DATE | ECO NO. | | | | |