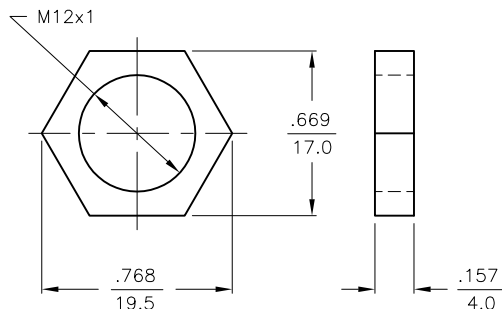
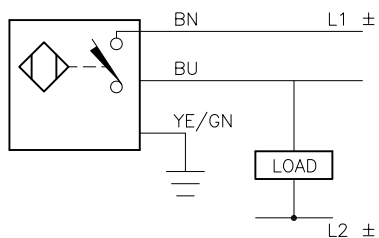


WIRING DIAGRAM

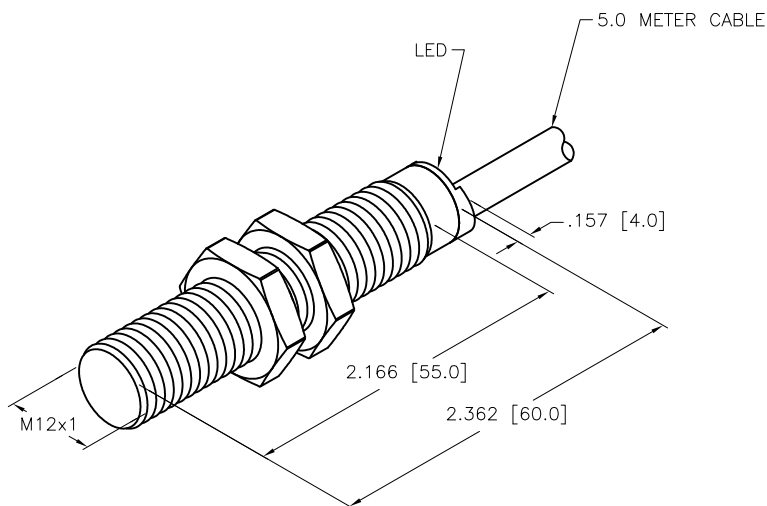
LOCKNUT LN-SS12

SPECIFICATIONS



| | |
|-----------------------------|---------------------------------------|
| RATED OPERATING DISTANCE | 4mm = .157" (NOMINAL) |
| MOUNTING MODE | FLUSH |
| TEMPERATURE DRIFT | ≤±10% |
| HYSTERESIS | 3-15% |
| MIN. REPEAT ACCURACY | ≤ 2% |
| OPERATING TEMPERATURE | -25°C to +70°C (-13°F to +158°F) |
| RATED OPERATIONAL VOLTAGE | 20-250 VAC/10-300 VDC |
| RESIDUAL RIPPLE | ≤ 10% |
| RATED OPERATIONAL CURRENT | ≤ 100 mA |
| RESIDUAL CURRENT | ≤ 1.7 mA |
| RATED INSULATION VOLTAGE | ≤ 0.5 kV |
| SHORT-CIRCUIT PROTECTION | YES |
| MAX. VOLTAGE DROP | ≤ 6 V |
| MIN. OPERATIONAL CURRENT | ≥ 3 mA |
| LINE FREQUENCY | 40-60 Hz |
| SWITCHING FREQUENCY | ≤ 0.02 kHz |
| OUTPUT FUNCTION | 2-WIRE, NORMALLY OPEN, SELF CONTAINED |
| CABLE | ø5.1, PVC |
| VIBRATION RESISTANCE | 55 Hz (IN ALL 3 PLANES) |
| SHOCK RESISTANCE | 30 g, 11 ms |
| DEGREE OF PROTECTION | IP 67 |
| SWITCHING STATUS INDICATION | LED, RED |

OUTPUT: ADZ32X



SOURCE DRAWING - FOR REFERENCE ONLY

NOTES:

1. "/S1023" DESIGNATES WET/WASHDOWN APPLICATIONS. LENSED LEDS AND SERPENTINE FULLY POTTED INTERNAL CABLE.

| | | | | |
|---|---|--|--|--------------------------------|
| RELATED DOCUMENTS 1. 2. 3. 4. | 3RD ANGLE PROJECTION | THIS DRAWING IS CONFIDENTIAL AND THE PROPERTY OF TURCK INC. USE OF THIS DOCUMENT WITHOUT WRITTEN PERMISSION IS PROHIBITED. | 3000 CAMPUS DRIVE MINNEAPOLIS, MN 55441 1-800-544-7769 (763) 553-7300 (763) 553-0708 fax www.turck.us | |
| | | | DRFT KMY | DATE 01/30/12 |
| MATERIAL STAINLESS STEEL | ALL DIMENSIONS DISPLAYED ON THIS DRAWING ARE FOR REFERENCE ONLY | APVD J.M. | SCALE 1=1.0 | IDENTIFICATION NO. 42050971 |
| FINISH | | UNIT OF MEASUREMENT INCH [MILLIMETER] | REV D | |
| CONTACT TURCK FOR MORE INFORMATION | | DO NOT SCALE THIS DRAWING | | FILE: 42050971 |

| | | | | |
|-----|--|-----|----------|---------|
| D | UPDATE ID NUMBER PER HARMONIZATION PROJECT | CBM | 12/20/17 | |
| REV | DESCRIPTION | BY | DATE | ECO NO. |