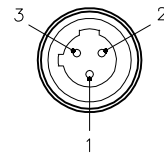
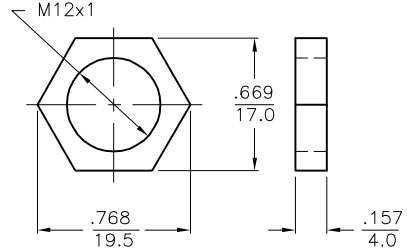
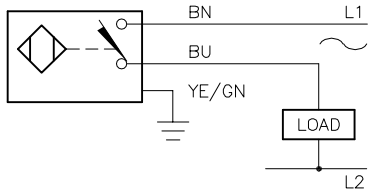


WIRING DIAGRAM

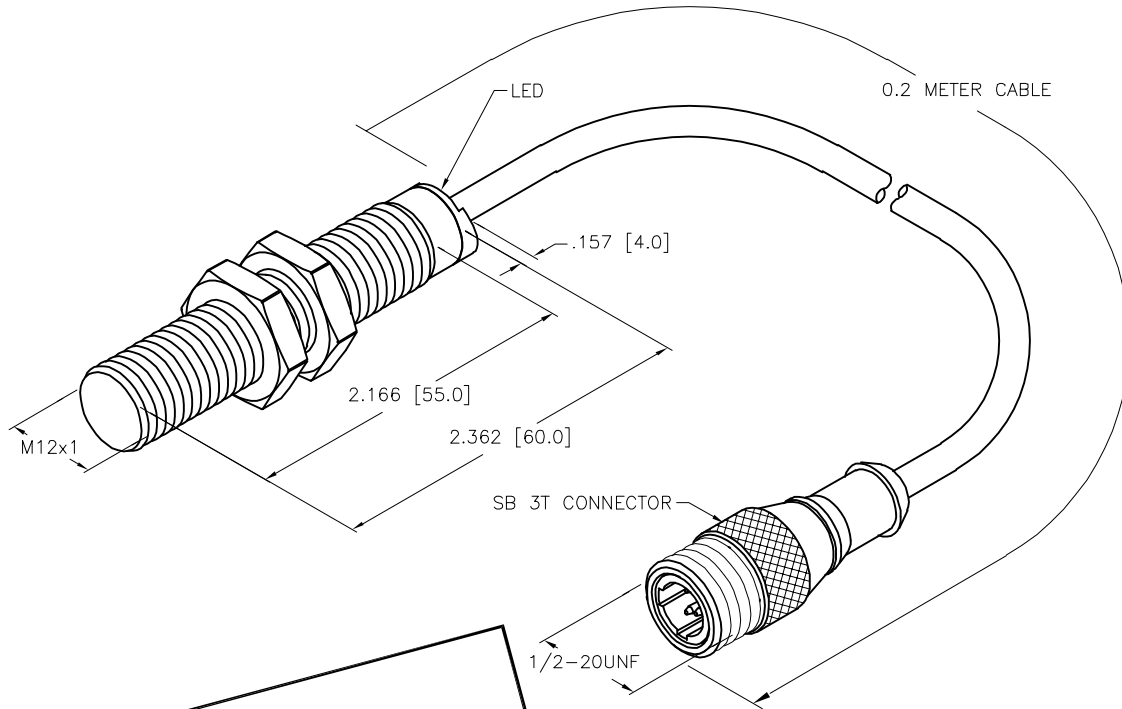
LOCKNUT LN-SS12

MALE END VIEW

SPECIFICATIONS



RATED OPERATING DISTANCE	4mm = .157" (NOMINAL)
MOUNTING MODE	FLUSH
TEMPERATURE DRIFT	≤ ±10%
HYSTERESIS	3-15%
MIN. REPEAT ACCURACY	≤ 2%
OPERATING TEMPERATURE	-25°C to +70°C (-13°F to +158°F)
RATED OPERATIONAL VOLTAGE	20-250 VAC/10-300 VDC
RESIDUAL RIPPLE	≤ 10%
RATED OPERATIONAL CURRENT	≤ 100 mA
RESIDUAL CURRENT	≤ 1.7 mA
RATED INSULATION VOLTAGE	≤ 0.5 kV
SHORT-CIRCUIT PROTECTION	YES
MAX. VOLTAGE DROP	≤ 6 V
MIN. OPERATIONAL CURRENT	≥ 3 mA
LINE FREQUENCY	40-60 Hz
SWITCHING FREQUENCY	≤ 0.02 kHz
OUTPUT FUNCTION	2-WIRE, NORMALLY OPEN, SELF CONTAINED
CABLE	PVC
VIBRATION RESISTANCE	55 Hz (IN ALL 3 PLANES)
SHOCK RESISTANCE	30 g, 11 ms
DEGREE OF PROTECTION	IP 67
SWITCHING STATUS INDICATION	LED, RED
BARREL MATERIAL	STAINLESS STEEL



ACCEPTED

NAME _____

SIGNATURE _____

DATE _____

*** PENDING MFG VERIFICATION ***

SOURCE DRAWING - FOR REFERENCE ONLY

RELATED DOCUMENTS 1. NOTE 2. PRELIMINARY 3. SPECIFICATIONS 4.	3RD ANGLE PROJECTION 	THIS DRAWING IS CONFIDENTIAL AND THE PROPERTY OF TURCK INC. USE OF THIS DOCUMENT WITHOUT WRITTEN PERMISSION IS PROHIBITED.		3000 CAMPUS DRIVE MINNEAPOLIS, MN 55441 1-800-544-7769 (763) 553-7300 (763) 553-0708 fax www.turck.us		
	MATERIAL FINISH	ALL DIMENSIONS DISPLAYED ON THIS DRAWING ARE FOR REFERENCE ONLY CONTACT TURCK FOR MORE INFORMATION	DRFT AS DATE 02/02/24	DESCRIPTION BI4-EM12-ADZ32X-0.2-SB3T		
			APVD SCALE 1=1.0	IDENTIFICATION NO. 200009441		REV P1
	UNIT OF MEASUREMENT INCH [MILLIMETER]		DO NOT SCALE THIS DRAWING		FILE: 200009441 SHEET 1 OF 1	

P1	DRAWING RELEASE PENDING	AS	02/02/24	
REV	DESCRIPTION	BY	DATE	ECO NO.