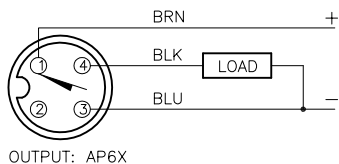


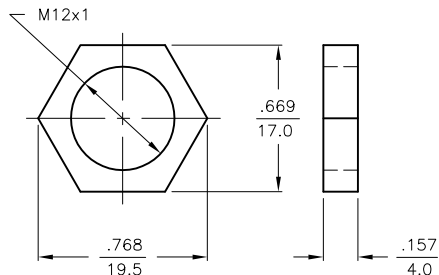
WIRING DIAGRAM



OUTPUT: AP6X

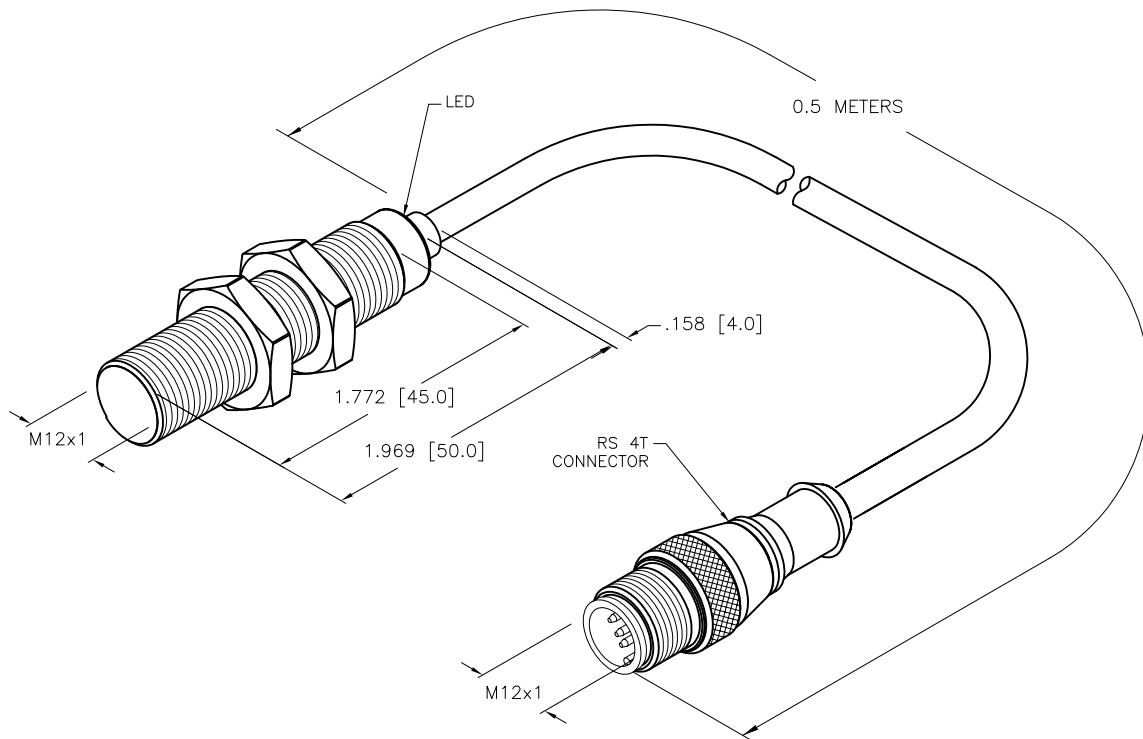
SHORT-CIRCUIT AND OVERLOAD PROTECTED

LOCKNUT LN-M12



SPECIFICATIONS

RATED OPERATING DISTANCE	3mm [.118]
MOUNTING MODE	FLUSH
TEMPERATURE DRIFT	≤±10% ≤±15%, ≤ -25°C v ≥ +70°C
HYSTERESIS	3-15%
MIN. REPEAT ACCURACY	≤2%
OPERATING TEMPERATURE	-30°C to +85°C (-22°F to +185°F)
RATED OPERATIONAL VOLTAGE	10-30 VDC
RESIDUAL RIPPLE	≤ 10%
DC RATED OPERATIONAL CURRENT	≤ 200 mA
NO-LOAD CURRENT	≤ 15 mA
RESIDUAL CURRENT	≤ 0.1 mA
RATED INSULATION VOLTAGE	≤ 0.5 kV
SHORT-CIRCUIT PROTECTION	YES
MAX. VOLTAGE DROP	≤ 1.8 V
WIRE BREAKAGE PROTECTION	INCORPORATED
REVERSE POLARITY PROTECTION	INCORPORATED
OUTPUT FUNCTION	3-WIRE, NORMALLY OPEN, PNP
MAX. SWITCHING FREQUENCY	≤ 2 kHz
HOUSING MATERIAL	BRASS, CHROME PLATED
ACTIVE FACE	PLASTIC, LCP-GF30
END CAP	PLASTIC, EPTR
CABLE	ø5.2, LiYY, PVC
VIBRATION RESISTANCE	55 Hz (IN ALL 3 PLANES)
SHOCK RESISTANCE	30 g, 11 ms
DEGREE OF PROTECTION	IP 68
SWITCHING STATUS INDICATION	LED, YELLOW



SOURCE DRAWING - FOR REFERENCE ONLY

RELATED DOCUMENTS 1. 2. 3. 4.	3RD ANGLE PROJECTION 	THIS DRAWING IS CONFIDENTIAL AND THE PROPERTY OF TURCK INC. USE OF THIS DOCUMENT WITHOUT WRITTEN PERMISSION IS PROHIBITED.		3000 CAMPUS DRIVE MINNEAPOLIS, MN 55441 1-800-544-7769 (763) 553-7300 (763) 553-0708 fax www.turck.us	
	MATERIAL SEE SPECS	ALL DIMENSIONS DISPLAYED ON THIS DRAWING ARE FOR REFERENCE ONLY	DRFT RDS DATE 01/12/11	DESCRIPTION BI3U-M12-AP6X-0.5M-RS4T	
FINISH SEE SPECS	APVD SCALE 1=1.0		IDENTIFICATION NO. 1634191		REV B
CONTACT TURCK FOR MORE INFORMATION		UNIT OF MEASUREMENT INCH [MILLIMETER]		FILE: 1634191	
DO NOT SCALE THIS DRAWING		SHEET 1 OF 1		SHEET 1 OF 1	

B	UPDATE ID NUMBER PER HARMONIZATION PROJECT	CBM	11/06/17	
REV	DESCRIPTION	BY	DATE	ECO NO.