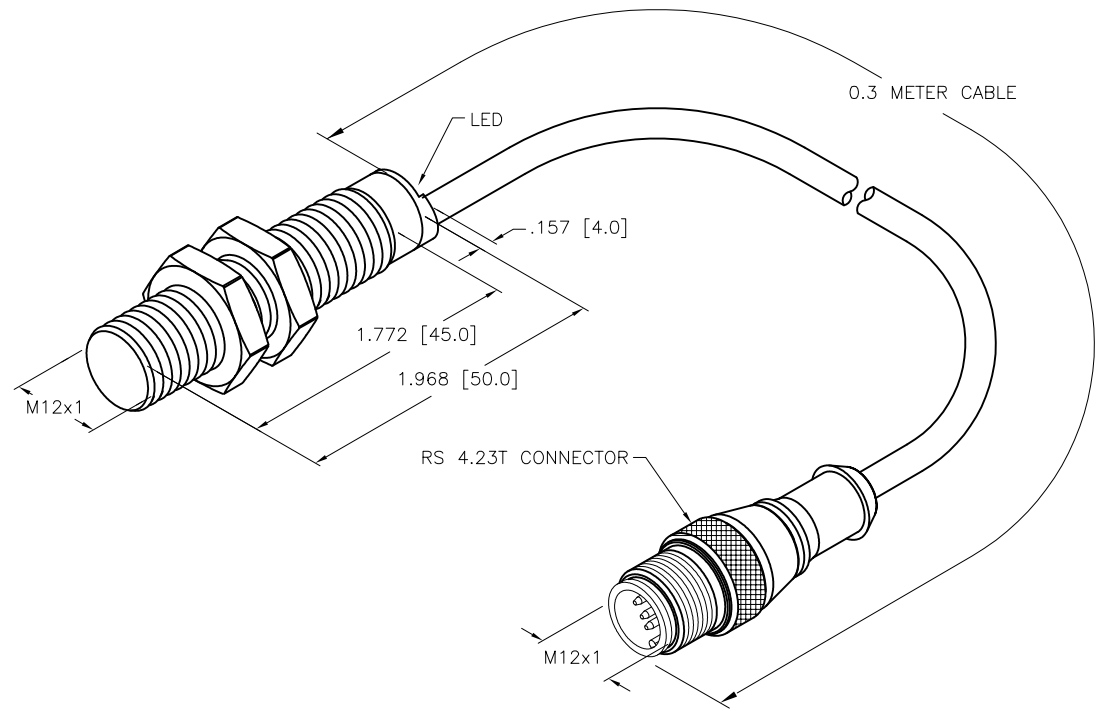


SPECIFICATIONS	
RATED OPERATING DISTANCE	3mm [.118]
MOUNTING MODE	FLUSH
TEMPERATURE DRIFT	≤±10%
HYSTERESIS	1-15%
MIN. REPEAT ACCURACY	≤2%
OPERATING TEMPERATURE	-25°C to +70°C (-13°F to +158°F)
RATED OPERATIONAL VOLTAGE	10-65 VDC
MAX. RIPPLE	≤ 10%
RATED OPERATIONAL CURRENT	≤ 100 mA
MAX. OFF-STATE CURRENT	≤ 0.6 mA
RATED INSULATION VOLTAGE	≤ 0.5 kV
SHORT-CIRCUIT PROTECTION	YES
MAX. VOLTAGE DROP	≤ 5 V
MIN. OPERATIONAL CURRENT	≥ 3 mA
MAX. SWITCHING FREQUENCY	≤ 1 kHz
OUTPUT FUNCTION	2-WIRE, NORMALLY OPEN, SELF CONTAINED
SENSOR MATERIAL	BRASS, PTFE-COATED
END CAP MATERIAL	THERMOSET PLASTIC
CABLE	ø5.2, LifYY, PVC, 0.3 METER LENGTH
VIBRATION RESISTANCE	55 Hz (IN ALL 3 PLANES)
SHOCK RESISTANCE	30 g, 11 ms
DEGREE OF PROTECTION	IP 67
SWITCHING STATUS INDICATION	LED, YELLOW



SOURCE DRAWING - FOR REFERENCE ONLY

RELATED DOCUMENTS		3RD ANGLE PROJECTION		THIS DRAWING IS CONFIDENTIAL AND THE PROPERTY OF TURCK INC. USE OF THIS DOCUMENT WITHOUT WRITTEN PERMISSION IS PROHIBITED.		<p>3000 CAMPUS DRIVE MINNEAPOLIS, MN 55441 1-800-544-7769 (763) 553-7300 (763) 553-0708 fax www.turck.us</p>	
1.	2.	3.	4.	DRFT	RWC	DATE	04/13/09
MATERIAL				APVD		SCALE 1=1.0	
FINISH				UNIT OF MEASUREMENT		DESCRIPTION	
ALL DIMENSIONS DISPLAYED ON THIS DRAWING ARE FOR REFERENCE ONLY				INCH [MILLIMETER]		BI3-MT12H-AD4X-0.3M-RS4.23T	
CONTACT TURCK FOR MORE INFORMATION				DO NOT SCALE THIS DRAWING		IDENTIFICATION NO. 44050895	
C UPDATE ID NUMBER PER HARMONIZATION PROJECT				BY		REV C	
REV DESCRIPTION				DATE 11/06/17		ECO NO.	
FILE: 44050895						SHEET 1 OF 1	

C	UPDATE ID NUMBER PER HARMONIZATION PROJECT	CBM	11/06/17	
REV	DESCRIPTION	BY	DATE	ECO NO.