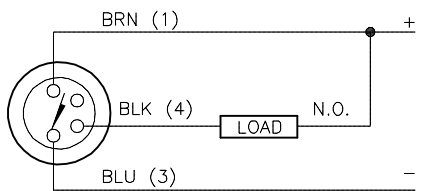


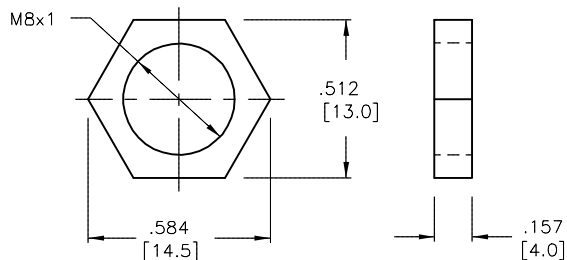
WIRING DIAGRAM

LOCKNUT LN-M8

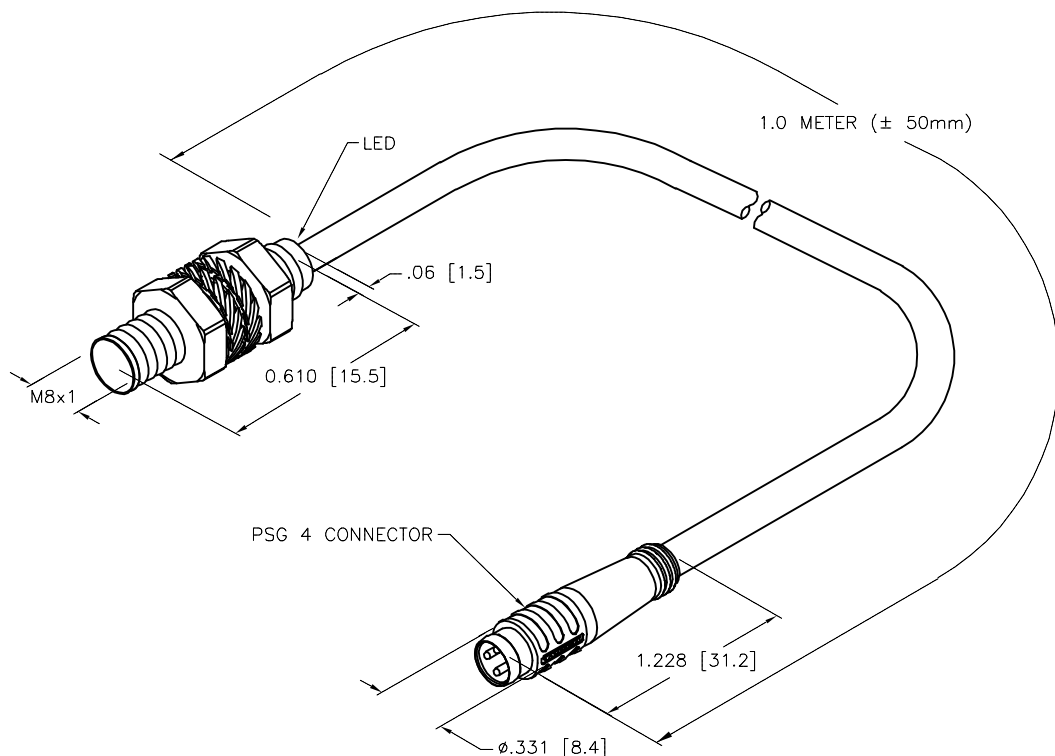
SPECIFICATIONS



OUTPUT: AN6X  
SHORT-CIRCUIT AND OVERLOAD PROTECTED



RATED OPERATING DISTANCE	3.0 mm = 0.11" (NOMINAL)
MOUNTING MODE	FLUSH
MIN. REPEAT ACCURACY	≤ 2%
TEMPERATURE DRIFT	≤ ± 10%
HYSTERESIS	3-15%
OPERATING TEMPERATURE	-25°C to +70°C (-13°F to +158°F)
RATED OPERATIONAL VOLTAGE	10-30 VDC
RIPPLE	≤ 10%
RATED OPERATIONAL CURRENT (DC)	≤ 100 mA
NO-LOAD CURRENT	≤ 15 mA
RESIDUAL CURRENT	≤ 0.1 mA
RATED INSULATION VOLTAGE	≤ 0.5 kV
SHORT-CIRCUIT PROTECTED	YES/CYCLIC
MAX VOLTAGE DROP	≤ 1.8 V
WIRE BREAKAGE PROTECTION	YES
REVERSE POLARITY PROTECTION	YES
OUTPUT FUNCTION	3-WIRE, NO CONTACT, NPN
MAX. SWITCHING FREQUENCY	≤ 2.8 kHz
HOUSING MATERIAL	METAL, CuZn, NICKEL/PLATED
ACTIVE FACE MATERIAL	PLASTIC, PP-GF20
END CAP MATERIAL	PLASTIC, PP-GF20
CABLE	∅3.0, GRAY, Lif9Y-11Y, PUR, 2
SHOCK RESISTANCE	30 g, 11 ms
VIBRATION RESISTANCE	55 Hz, 1 mm AMPLITUDE (IN ALL 3 PLANES)
DEGREE OF PROTECTION	IP67
SWITCHING STATUS INDICATION	LED: YELLOW



SOURCE DRAWING - FOR REFERENCE ONLY

RELATED DOCUMENTS		3RD ANGLE PROJECTION		THIS DRAWING IS CONFIDENTIAL AND THE PROPERTY OF TURCK INC. USE OF THIS DOCUMENT WITHOUT WRITTEN PERMISSION IS PROHIBITED.		3000 CAMPUS DRIVE MINNEAPOLIS, MN 55441 1-800-544-7769 (763) 553-7300 (763) 553-0708 fax www.turck.us		
1. 2. 3. 4.				DRFT NF DATE 03/27/20 APVD J.M. SCALE 1=1.0		DESCRIPTION B13-M08KK-AN6X-1-PSG4		
MATERIAL SEE SPECIFICATIONS		ALL DIMENSIONS DISPLAYED ON THIS DRAWING ARE FOR REFERENCE ONLY		UNIT OF MEASUREMENT <b>INCH [ MILLIMETER ]</b>		IDENTIFICATION NO. 100018510		
FINISH SEE SPECIFICATIONS		CONTACT TURCK FOR MORE INFORMATION		DO NOT SCALE THIS DRAWING		REV A		
A	DRAWING RELEASE	NF	03/30/20	FILE: 100018510				SHEET 1 OF 1
REV	DESCRIPTION	BY	DATE	ECO NO.				