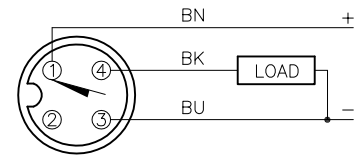


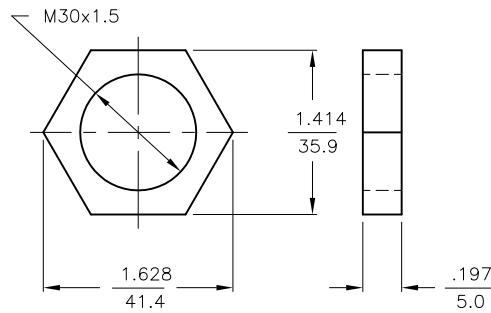
WIRING DIAGRAMS



OUTPUT: AP6X

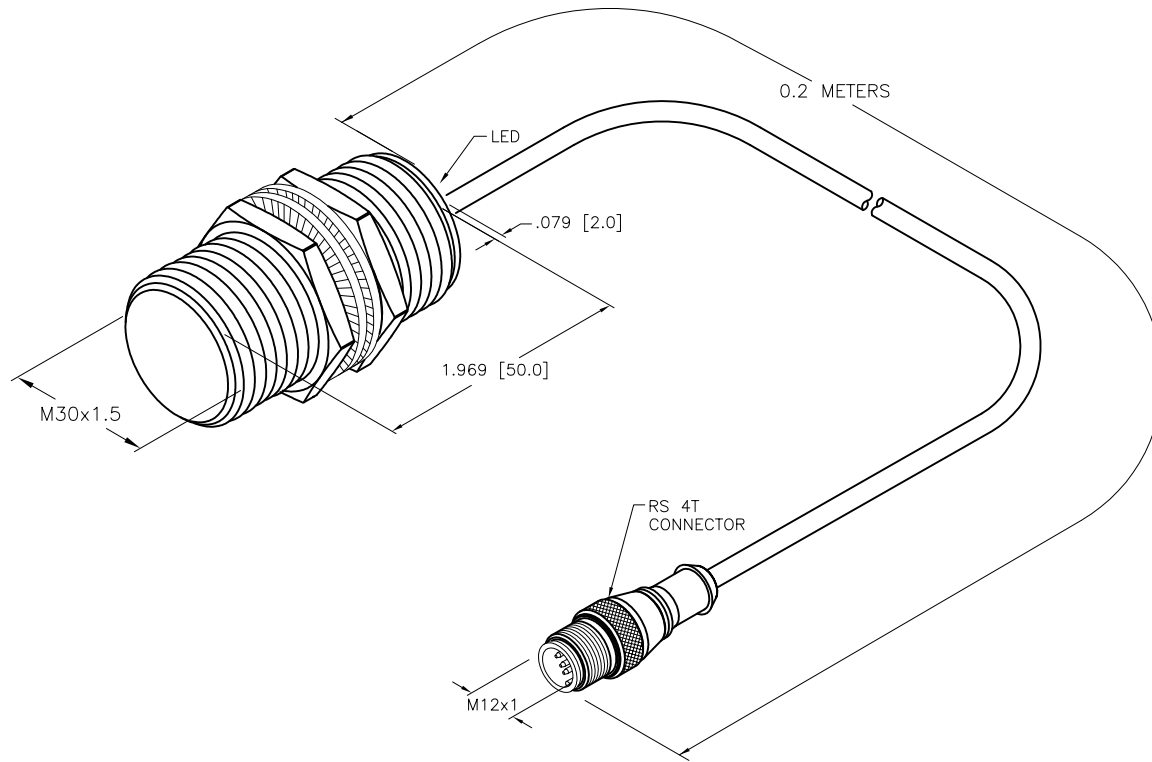
SHORT-CIRCUIT AND OVERLOAD PROTECTED

LOCKNUT LN-M30 (SST)



SPECIFICATIONS

RATED OPERATING DISTANCE	20mm = .787"
MOUNTING MODE	FLUSH
MIN. REPEAT ACCURACY	≤ 5%
STATIC PRESSURE	≤ 40 BAR
TEMPERATURE DRIFT	≤ ±10%
HYSTERESIS	15%
OPERATING TEMPERATURE	-25°C to +70°C (-13°F to +158°F)
RATED OPERATIONAL VOLTAGE	10-30 VDC
RESIDUAL RIPPLE	≤ 20%
DC RATED OPERATIONAL CURRENT	≤ 200 mA
NO-LOAD CURRENT	≤ 10 mA
RESIDUAL CURRENT	≤ 0.1 mA
RATED INSULATION VOLTAGE	≤ 0.5 kV
SHORT-CIRCUIT PROTECTION	YES
MAX. VOLTAGE DROP	≤ 2.0 V
WIRE BREAKAGE PROTECTION	INCORPORATED
REVERSE POLARITY PROTECTION	INCORPORATED
OUTPUT FUNCTION	3-WIRE, NORMALLY OPEN, PNP
MAX. SWITCHING FREQUENCY	≤ 0.1 kHz
HOUSING MATERIAL	STAINLESS STEEL, V2A (1.4305)
ACTIVE FACE MATERIAL	STAINLESS STEEL
END CAP MATERIAL	METAL
CABLE	∅5.0, PVC
VIBRATION RESISTANCE	55 Hz (1 mm)
SHOCK RESISTANCE	30 g (11 ms)
DEGREE OF PROTECTION	IP68, IP69K
SWITCHING STATUS INDICATION	LED, YELLOW



SOURCE DRAWING - FOR REFERENCE ONLY

RELATED DOCUMENTS		3RD ANGLE PROJECTION		THIS DRAWING IS CONFIDENTIAL AND THE PROPERTY OF TURCK INC. USE OF THIS DOCUMENT WITHOUT WRITTEN PERMISSION IS PROHIBITED.		3000 CAMPUS DRIVE MINNEAPOLIS, MN 55441 1-800-544-7769 (763) 553-7300 (763) 553-0708 fax www.turck.us	
1.			ALL DIMENSIONS DISPLAYED ON THIS DRAWING ARE FOR REFERENCE ONLY	DRFT	RDS	DATE	06/16/15
2.				APVD	A.F.	SCALE	1=1.5
3.		UNIT OF MEASUREMENT				DESCRIPTION	
4.		<b>INCH [ MILLIMETER ]</b>				BI20-EG30F-AP6X-0.2-RS4T	
MATERIAL		DO NOT SCALE THIS DRAWING				IDENTIFICATION NO.	
FINISH		CONTACT TURCK FOR MORE INFORMATION				46147241	
C		UPDATE ID NUMBER PER HARMONIZATION PROJECT		CBM		12/20/17	
REV		DESCRIPTION		BY		DATE	
		ECO NO.				FILE: 46147241	
						SHEET 1 OF 1	