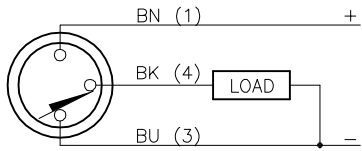
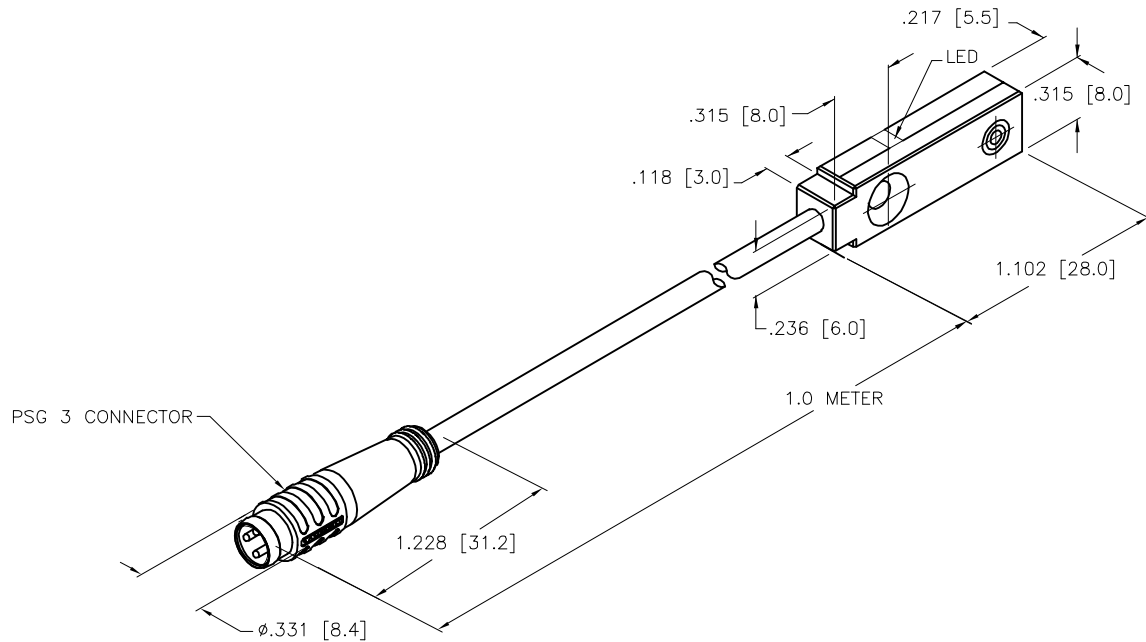


WIRING DIAGRAM



OUTPUT: RP6X


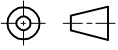
SHORT-CIRCUIT AND OVERLOAD PROTECTED



SPECIFICATIONS

RATED OPERATING DISTANCE	2 mm [.079"]
MOUNTING MODE	FLUSH
TEMPERATURE DRIFT	$\leq \pm 10\%$
HYSTERESIS	3-15%
MIN. REPEAT ACCURACY	$\leq 2\%$
OPERATING TEMPERATURE	-25°C to +70°C (-13°F to +158°F)
RATED OPERATIONAL VOLTAGE	10-30 VDC
RESIDUAL RIPPLE	$\leq 10\%$
DC RATED OPERATIONAL CURRENT	$\leq 150$ mA
NO-LOAD CURRENT	$\leq 15$ mA
RESIDUAL CURRENT	$\leq 0.1$ mA
RATED INSULATION VOLTAGE	$\leq 0.5$ kV
SHORT-CIRCUIT PROTECTED	YES
MAX. VOLTAGE DROP	$\leq 1.8$ V
SWITCHING FREQUENCY	$\leq 2.0$ kHz
WIRE-BREAK PROTECTION	INCORPORATED
REVERSE POLARITY PROTECTION	INCORPORATED
OUTPUT FUNCTION	3-WIRE, NORMALLY CLOSED, PNP
HOUSING MATERIAL/COLOR	PLASTIC, PP/YELLOW
ACTIVE FACE	PLASTIC, PA12-GF20
CABLE	$\phi 3.0$ , TPU
VIBRATION RESISTANCE	55 Hz (IN ALL 3 PLANES)
SHOCK RESISTANCE	30 g, 11 ms
DEGREE OF PROTECTION	IP 67
SWITCHING STATUS INDICATION	LED, YELLOW

SOURCE DRAWING - FOR REFERENCE ONLY

RELATED DOCUMENTS		3RD ANGLE PROJECTION		THIS DRAWING IS CONFIDENTIAL AND THE PROPERTY OF TURCK INC. USE OF THIS DOCUMENT WITHOUT WRITTEN PERMISSION IS PROHIBITED.		 3000 CAMPUS DRIVE MINNEAPOLIS, MN 55441 1-800-544-7769 (763) 553-7300 (763) 553-0708 fax www.turck.us	
1.			DRFT	RDS	DATE 10/21/14	DESCRIPTION B12-Q5.5-RP6X-1M-PSG3	
2.			APVD	A.F.	SCALE 1=1.0		
3.		ALL DIMENSIONS DISPLAYED ON THIS DRAWING ARE FOR REFERENCE ONLY  CONTACT TURCK FOR MORE INFORMATION	UNIT OF MEASUREMENT <b>INCH [ MILLIMETER ]</b>			IDENTIFICATION NO. 1613181	
4.			DO NOT SCALE THIS DRAWING		REV C		
MATERIAL		SEE SPECIFICATIONS		FILE: 1613181		SHEET 1 OF 1	
FINISH		SEE SPECIFICATIONS					

C	UPDATE OPERATING TEMPERATURE	NF	05/14/21	76720
REV	DESCRIPTION	BY	DATE	ECO NO.