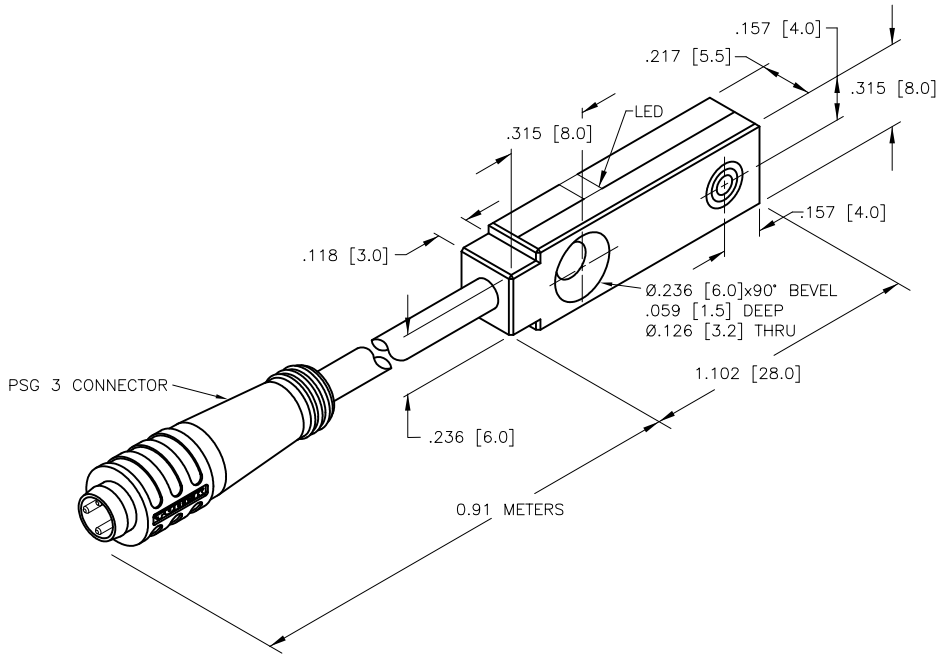


SPECIFICATIONS	
OPERATING VOLTAGE	10-30 VDC
RESIDUAL RIPPLE	≤10%
DIFFERENTIAL TRAVEL (HYSTERESIS)	3-15% (5% TYPICAL)
VOLTAGE DROP ACROSS CONDUCTING SENSOR	≤1.8 V AT 100 mA
OUTPUT FUNCTION	NORMALLY CLOSED 3-WIRE DC SELF-CONTAINED
TRIGGER CURRENT FOR OVERLOAD PROTECTION	≥170 mA
CONTINUOUS LOAD CURRENT	≤150
RESIDUAL CURRENT	<10 μA
NO-LOAD CURRENT	≤10 mA
TIME DELAY BEFORE AVAILABILITY	≤8 ms
POWER-ON EFFECT PROTECTION	Per IEC 947-5-2
REVERSE POLARITY PROTECTION	INCORPORATED
WIRE-BREAK PROTECTION	INCORPORATED
PROTECTION AGAINST TRANSIENTS	PER EN 60947-5-2
ENCLOSURE	MEETS NEMA 1,3,4,6,13 AND IEC IP67
OPERATING TEMPERATURE (10% DRIFT)	-25°C to +70°C (-13°F to +158°F)
OPERATING TEMPERATURE (15% DRIFT)	-30°C to +85°C (-22°F to +185°F)
SHOCK	30 g, 11 ms
VIBRATION	55 Hz, 1 mm AMPLITUDE (IN ALL 3 PLANES)
LED FUNCTION	GREEN: POWER ON YELLOW: OUTPUT ENERGIZED
RATED OPERATING DISTANCE	2 mm = .079" (NOMINAL)
SWITCHING FREQUENCY	2000 Hz
REPEATABILITY	≤2% OF RATED OPERATING DISTANCE
EMBEDDABLE (SHIELDED)	YES
CABLE	3.0mm DIAMETER, TPU JACKET
SENSOR HOUSING COLOR	YELLOW



SOURCE DRAWING - FOR REFERENCE ONLY

- NOTES:
- MATERIAL:  
HOUSING - PLASTIC-PP  
SENSING FACE - PA 12-GF20 PLASTIC
  - "/S771" INDICATES BLACK PLUG BODY ON PICOFAST CONNECTOR.
  - "/CS10011" INDICATES A TIGHTER CABLE LENGTH TOLERANCE OF -0/+12.5 mm.

RELATED DOCUMENTS		3RD ANGLE PROJECTION		THIS DRAWING IS CONFIDENTIAL AND THE PROPERTY OF TURCK INC. USE OF THIS DOCUMENT WITHOUT WRITTEN PERMISSION IS PROHIBITED.		<p>3000 CAMPUS DRIVE MINNEAPOLIS, MN 55441 1-800-544-7769 (763) 553-7300 (763) 553-0708 fax www.turck.us</p>	
1.				DRFT	CBM	DATE	04/11/03
2.				APVD	WE	SCALE	NONE
3.		ALL DIMENSIONS DISPLAYED ON THIS DRAWING ARE FOR REFERENCE ONLY		UNIT OF MEASUREMENT		DESCRIPTION	
4.		CONTACT TURCK FOR MORE INFORMATION		INCH [ MILLIMETER ]		BI2-Q5.5-RN6X-0.91-PSG3/S771/CS10011	
MATERIAL		SEE NOTES		IDENTIFICATION NO.		REV	
FINISH		SEE NOTES		16131841		G	
G		UPDATE ID NUMBER PER HARMONIZATION PROJECT		DO NOT SCALE THIS DRAWING		FILE: 16131841	
REV		DESCRIPTION		SHEET 1 OF 1			

G	UPDATE ID NUMBER PER HARMONIZATION PROJECT	CBM	12/21/17	
REV	DESCRIPTION	BY	DATE	ECO NO.